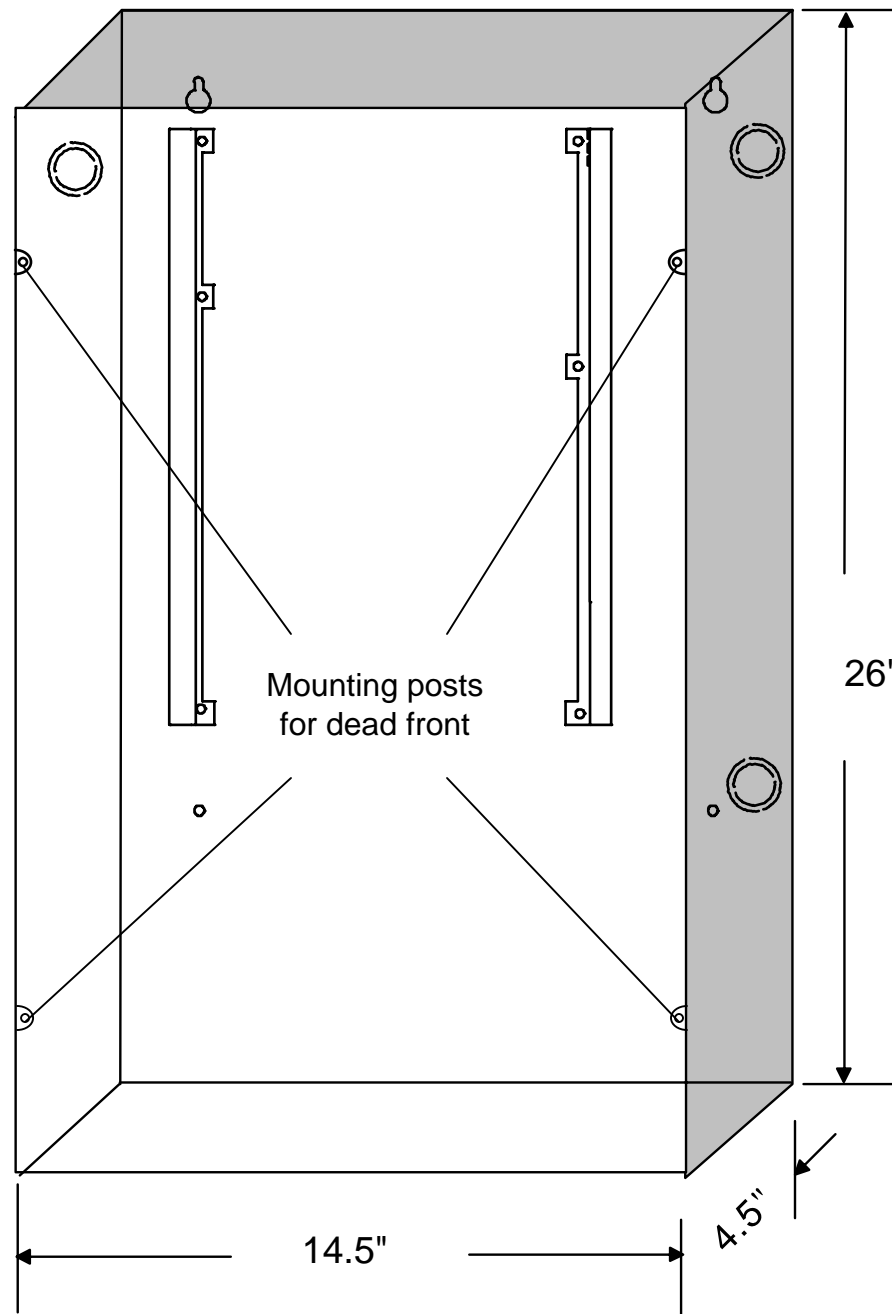
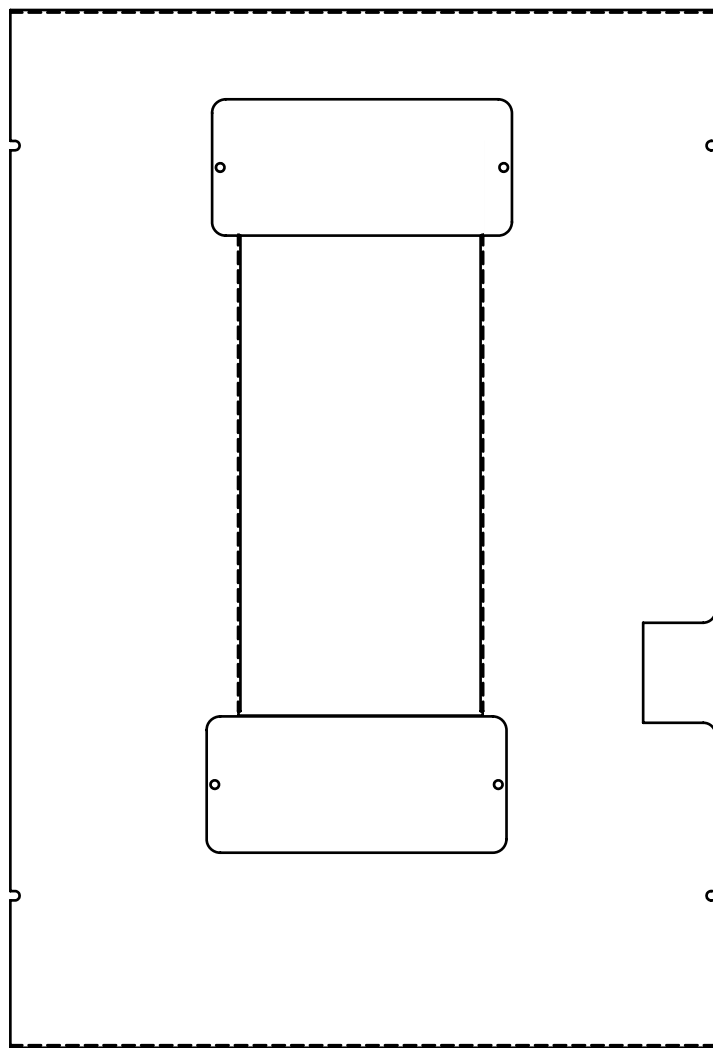


MR-2312 LED SERIES BACKBOXES

MR-2312-LDF DEADFRONT



Place dead front over the backbox and electronics. Use the four #6 screws provided to screw the front to the backbox on the mounting posts as shown.