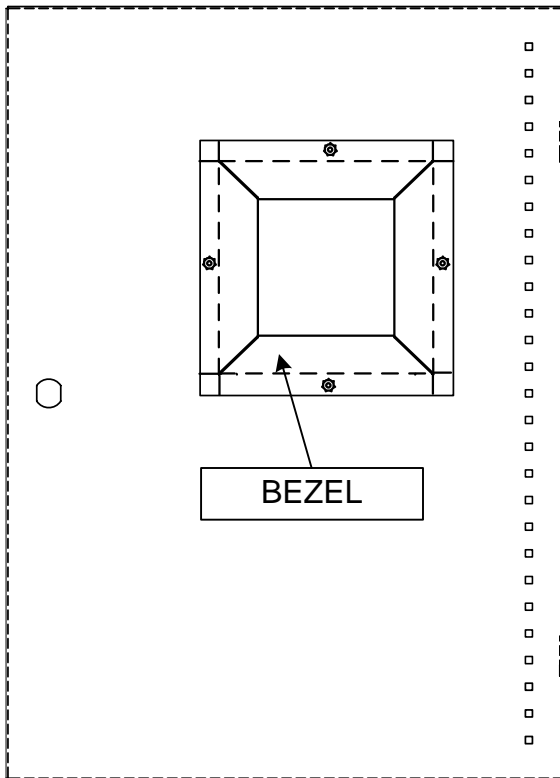


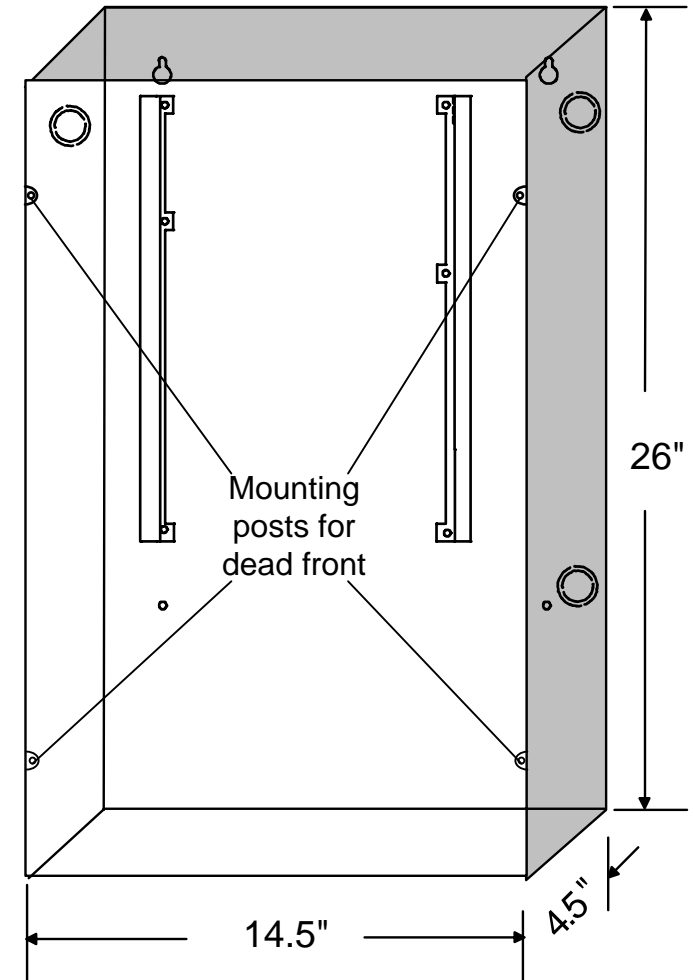
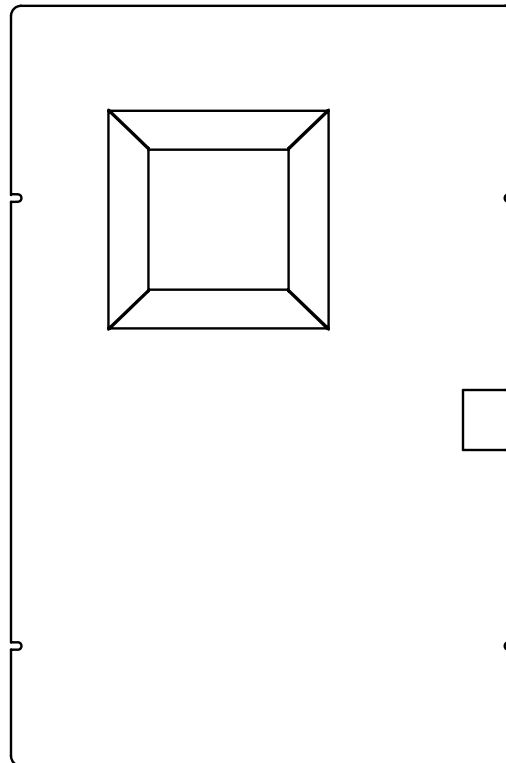
MR-2312 LCD SERIES BACKBOXES

INSIDE VIEW OF DOOR



Remove bezel and discard, but leave plexiglas, then place the dead front on the backbox.

MR-2312-DDF DEADFRONT



Place dead front over the backbox and electronics. Use the four #6 screws provided to screw the front to the backbox on the mounting posts as shown.