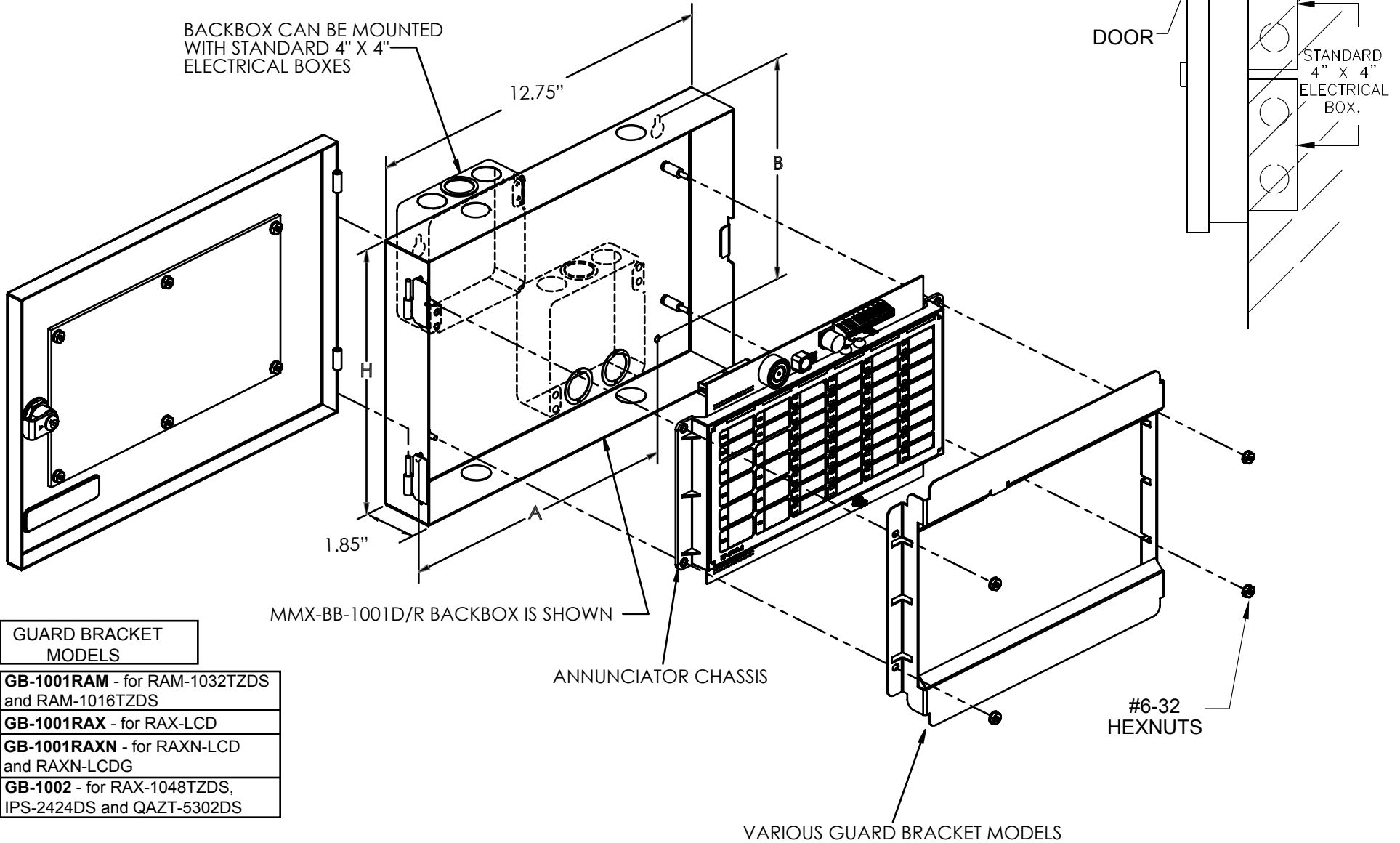


| BACKBOX | HEIGHT H (IN.) | MOUNTING | |
|----------------|-------------------|----------|---------|
| | | A (IN.) | B (IN.) |
| MMX-BB-1001D/R | 9.0" | 9.95" | 7.5" |
| MMX-BB-1002D/R | 18.0" | 9.95" | 16.5" |
| MMX-BB-1003D/R | 26.5" | 9.95" | 24.9" |

BACKBOX CAN BE MOUNTED WITH STANDARD 4" X 4" ELECTRICAL BOXES



GUARD BRACKET MODELS

- GB-1001RAM** - for RAM-1032TZDS and RAM-1016TZDS
- GB-1001RAX** - for RAX-LCD
- GB-1001RAXN** - for RAXN-LCD and RAXN-LCDG
- GB-1002** - for RAX-1048TZDS, IPS-2424DS and QAZT-5302DS