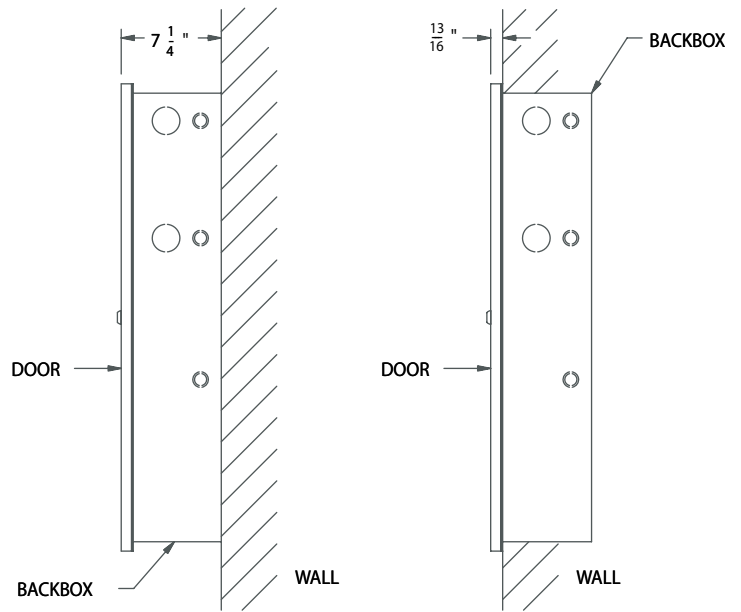


MATERIAL: COLD ROLLED STEEL

16GA (0.059") THICK FOR BACKBOX

14GA (0.075") THICK FOR DOOR

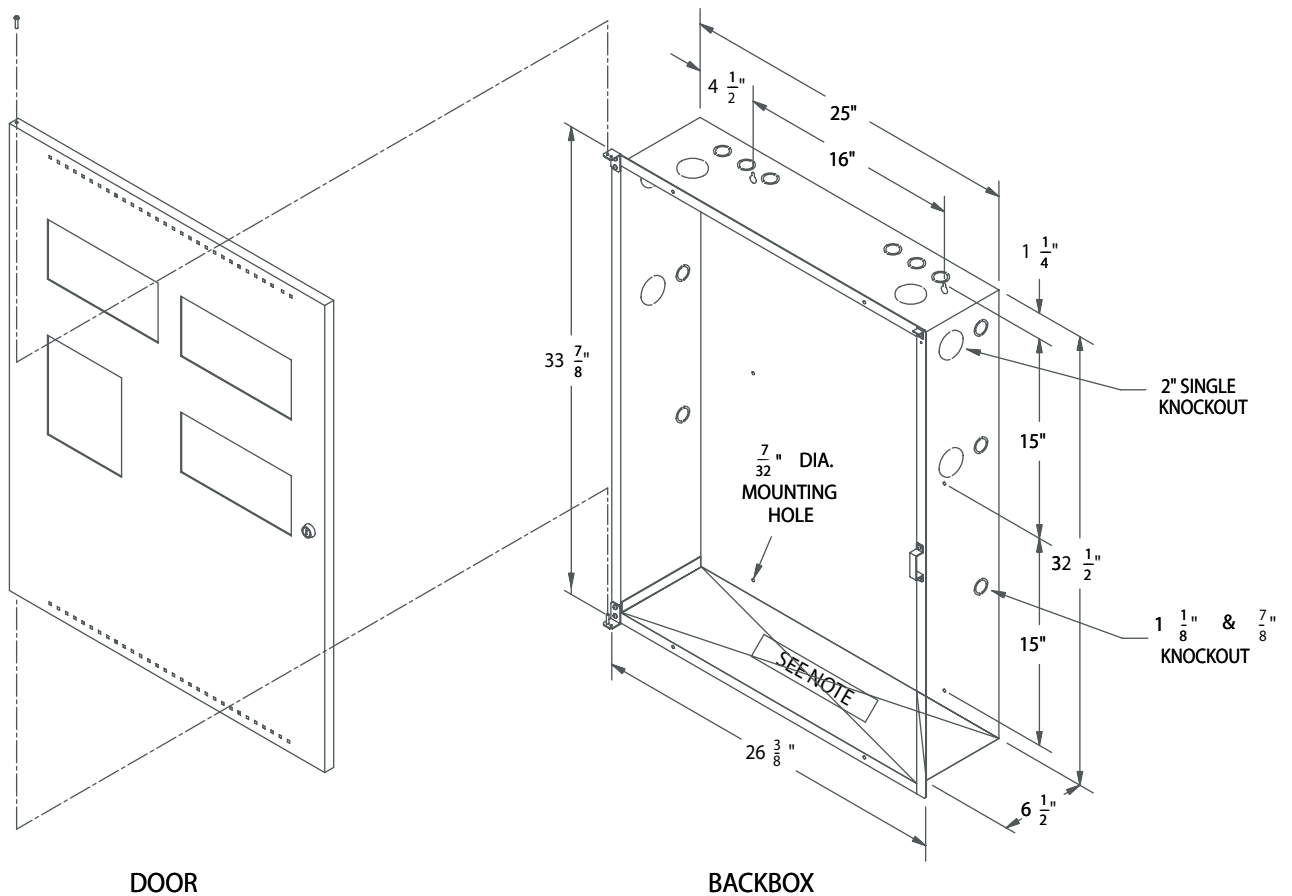
FINISH: PAINTED



NOTE: NO CONDUIT ENTRY
ON THE BOTTOM OF THE ENCLOSURE

SURFACE
(SIDE VIEW)

FLUSH
(SIDE VIEW)



DOOR

BACKBOX

MODEL MMX-BBX-1072AR ENCLOSURE (SURFACE or FLUSH)
INSTALLATION INSTRUCTION AND DIMENSIONS