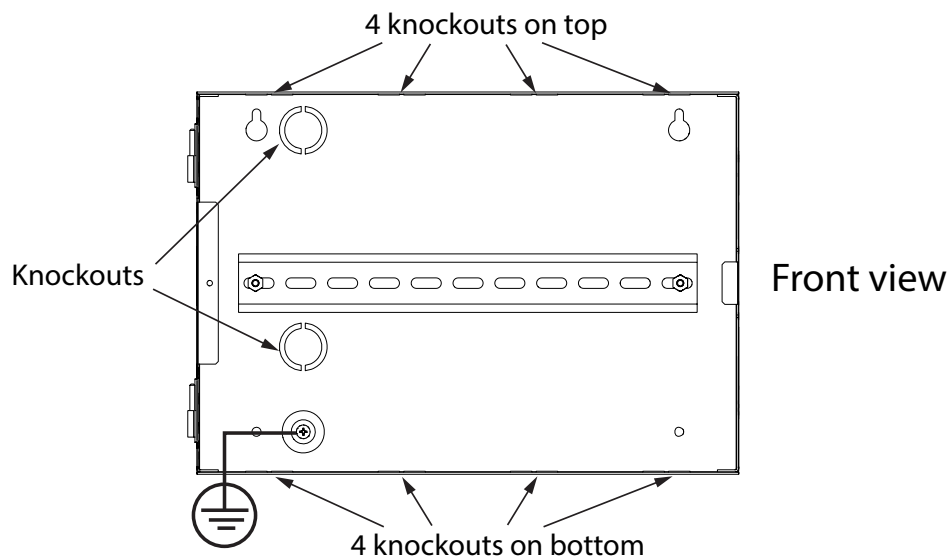
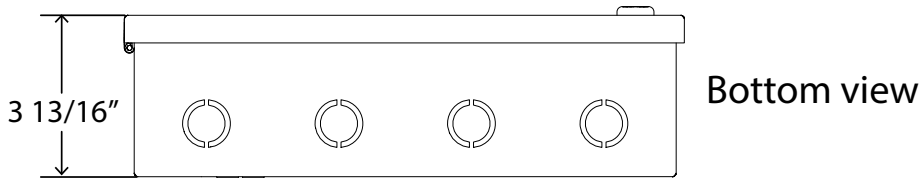
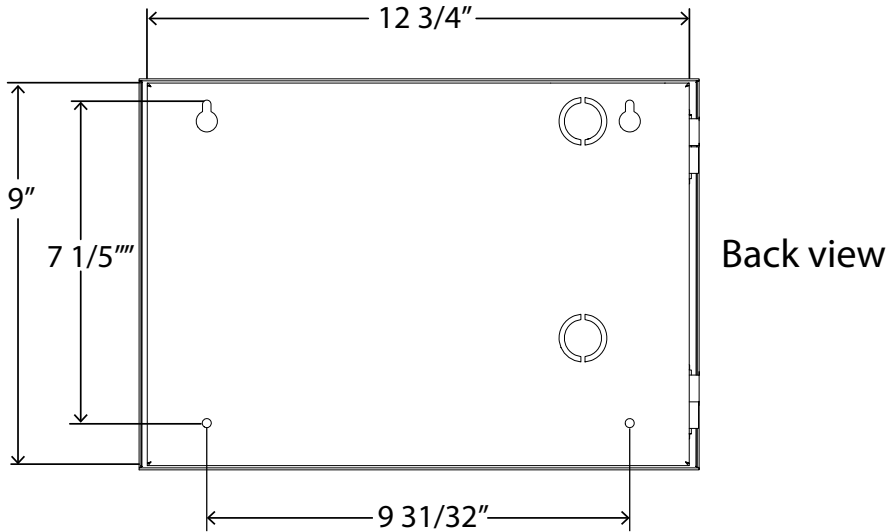


MMX-BB-4002R: Back Box and Red Door for 1 or 2 MRI-4000-M Series Modules

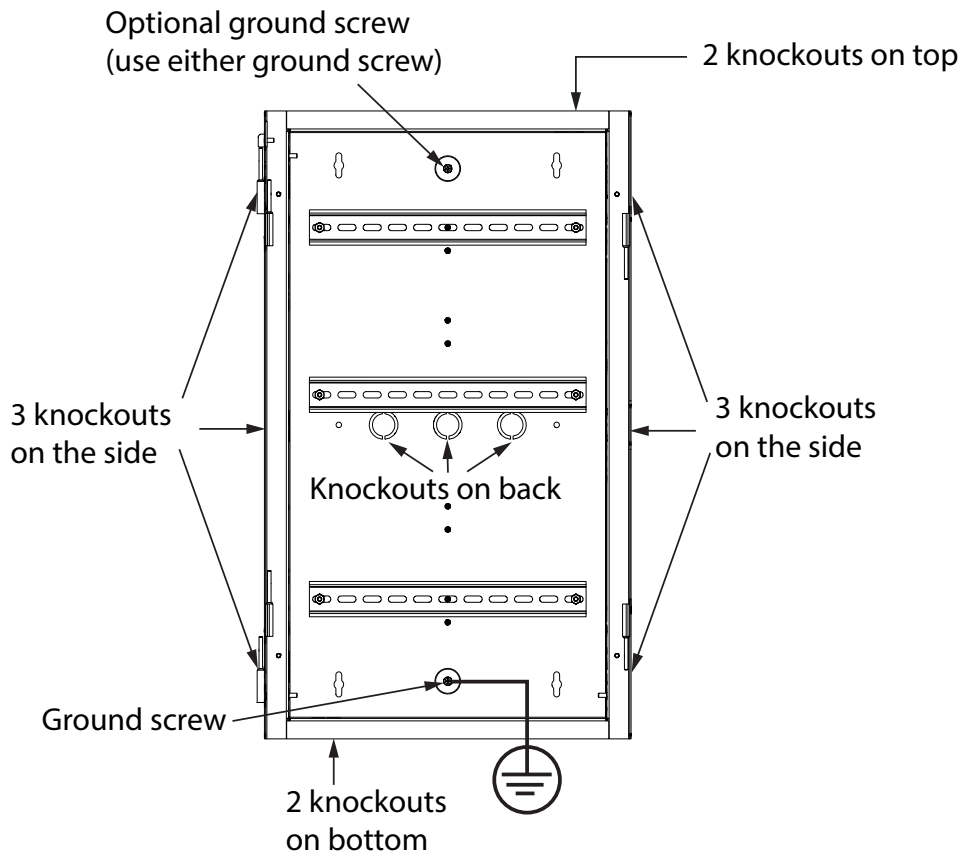
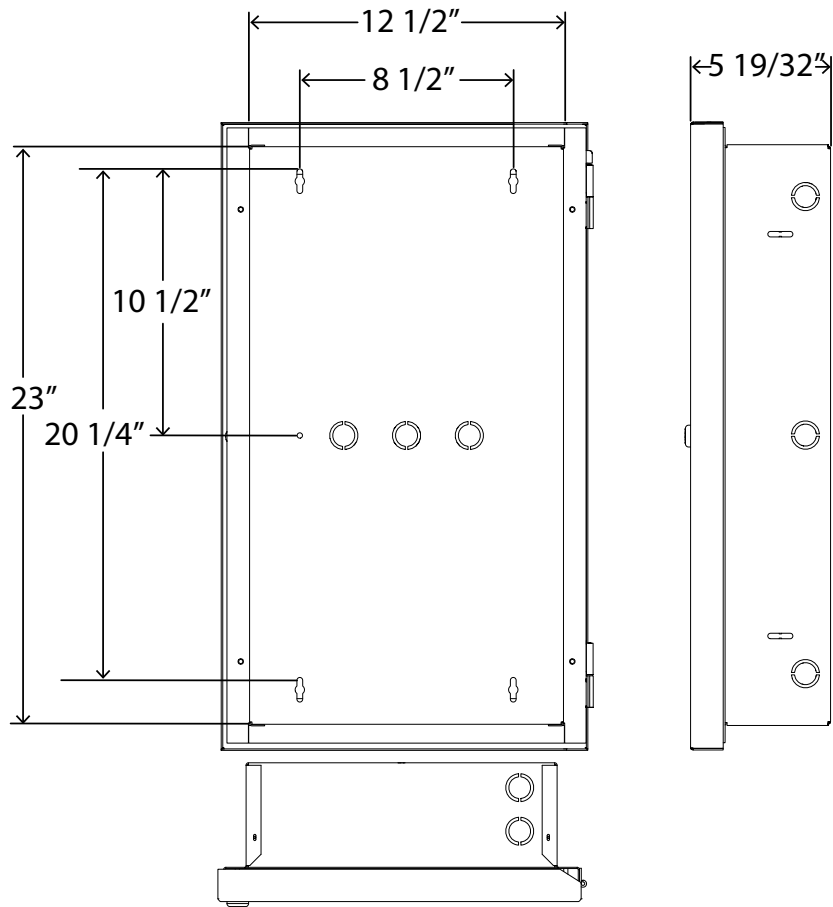
MMX-BB-4006R: Back Box and Red Door for up to 6 MRI-4000-M Series Modules

Refer to the module manual for mounting instructions.

MMX-BB-4002R Dimensions and Wiring



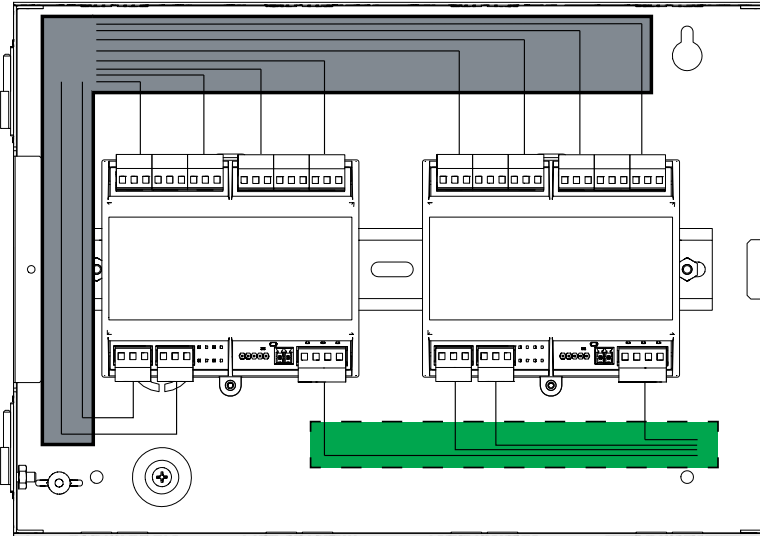
MMX-BB-4006R Dimensions and Wiring



Cable Routing in MMX-BB-4002R Example #1

Maintain a separation of 1/4" (6.4 mm) minimum between power-limited and non-power-limited wiring at all times.

Gray area (solid outline) marks the location for all non-power-limited wiring.



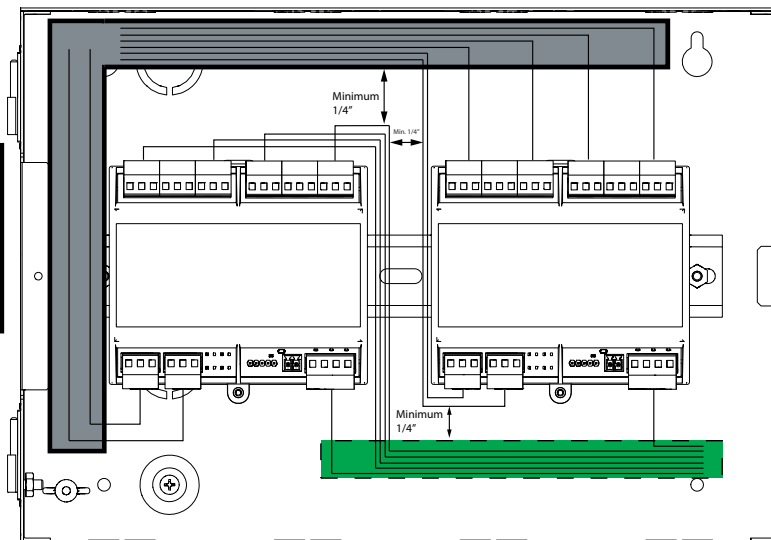
Green area (dotted outline) marks the location for all power-limited wiring.

Right side of box is reserved for all power limited wiring.

Cable Routing in MMX-BB-4002R Example #2

Maintain a separation of 1/4" (6.4 mm) minimum between power-limited and non-power-limited wiring at all times.

Gray area (solid outline) marks the location for all non-power-limited wiring.



Green area (dotted outline) marks the location for all power-limited wiring.

Right side of box is reserved for all power limited wiring.

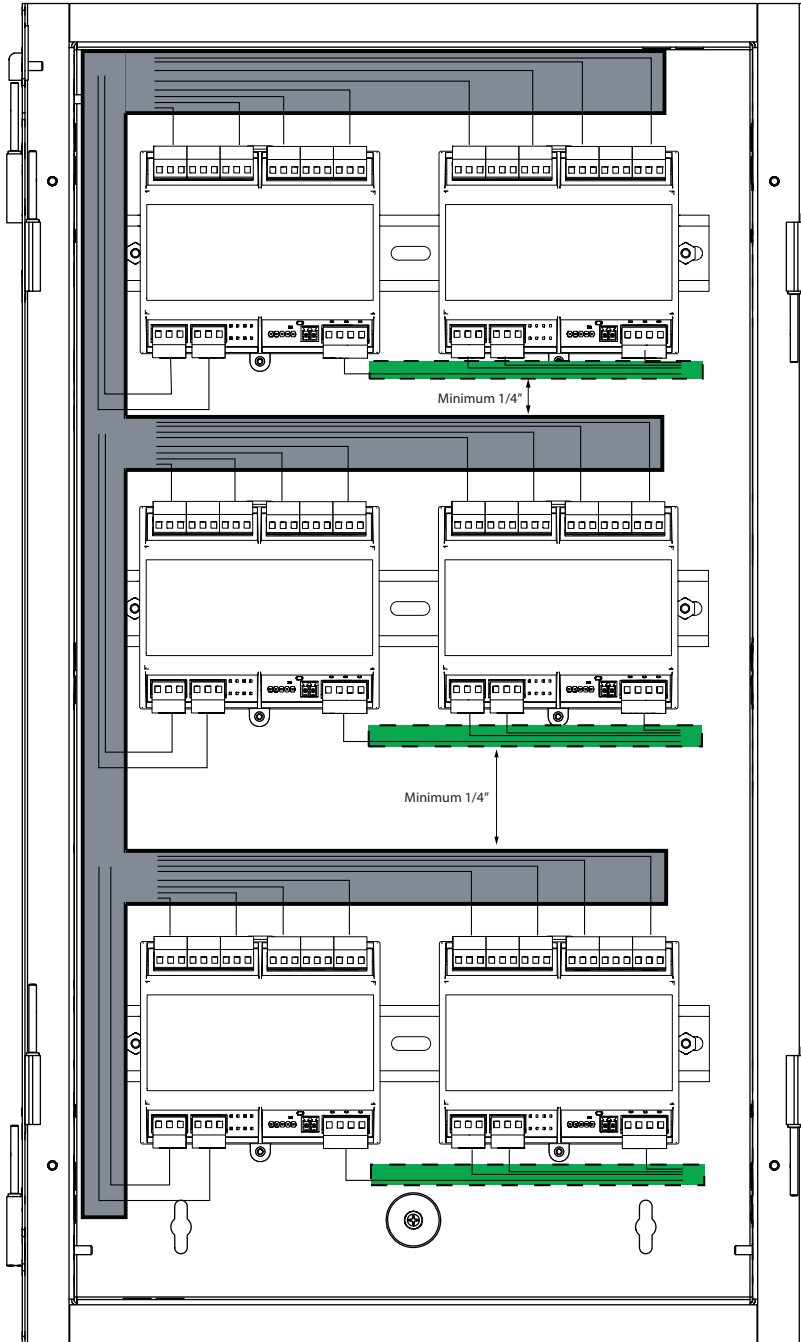
Cable Routing in MMX-BB-4006R Example #1

Maintain a separation of 1/4" (6.4 mm) minimum between power-limited and non-power-limited wiring at all times.

Green area (dotted outline) marks the location for all power-limited wiring.

Gray area (solid outline) marks the location for all non-power-limited wiring.

Right side of box is reserved for all power limited wiring.



Cable Routing in MMX-BB-4006R Example #2

Maintain a separation of 1/4" (6.4 mm) minimum between power-limited and non-power-limited wiring at all times.

Green area (dotted outline) marks the location for all power-limited wiring.

Gray area (solid outline) marks the location for all non-power-limited wiring.

Right side of box is reserved for all power limited wiring.

