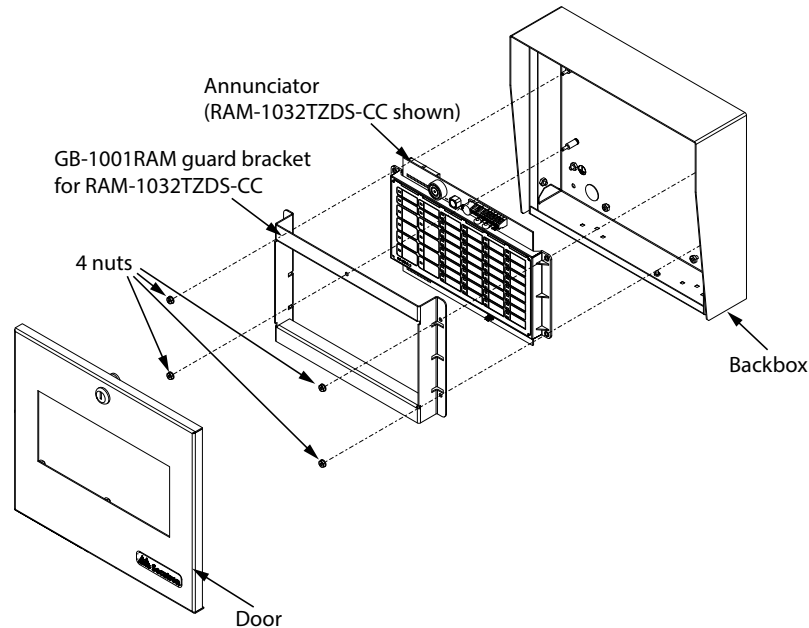


MMX-BB-1001WP(R)A and MMX-BB-1002WP(R)A Weather Protected Enclosures

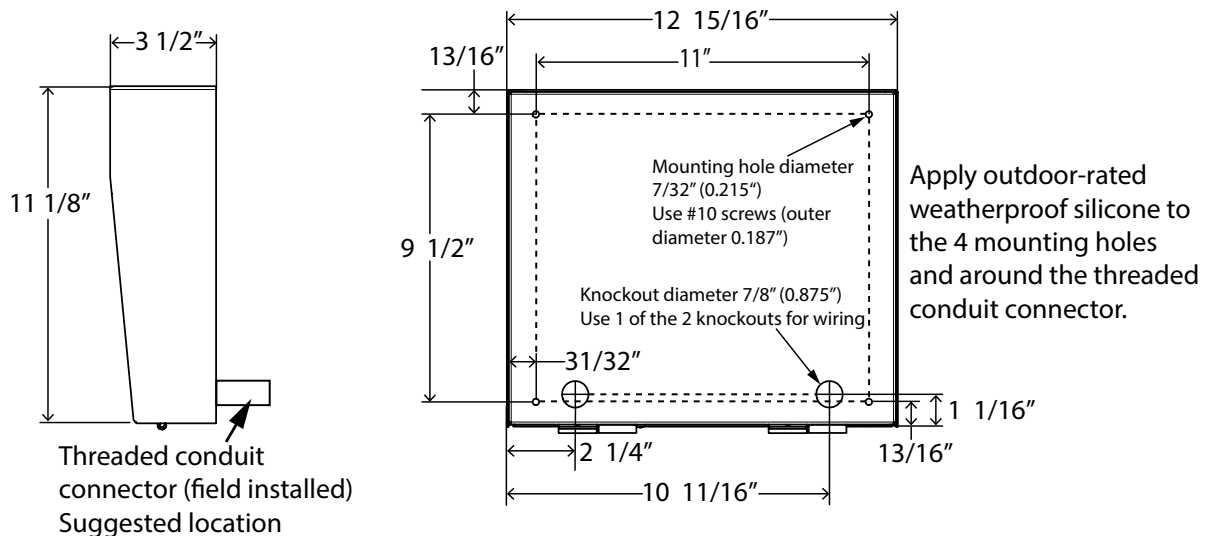
Rated for Outdoor Environment Wet Location according to UL 864

122 °F (+50 °C) to -40 °F (-40 °C)

MMX-BB-1001WP(R)A Annunciator Installation



MMX-BB-1001WP(R)A External Dimensions



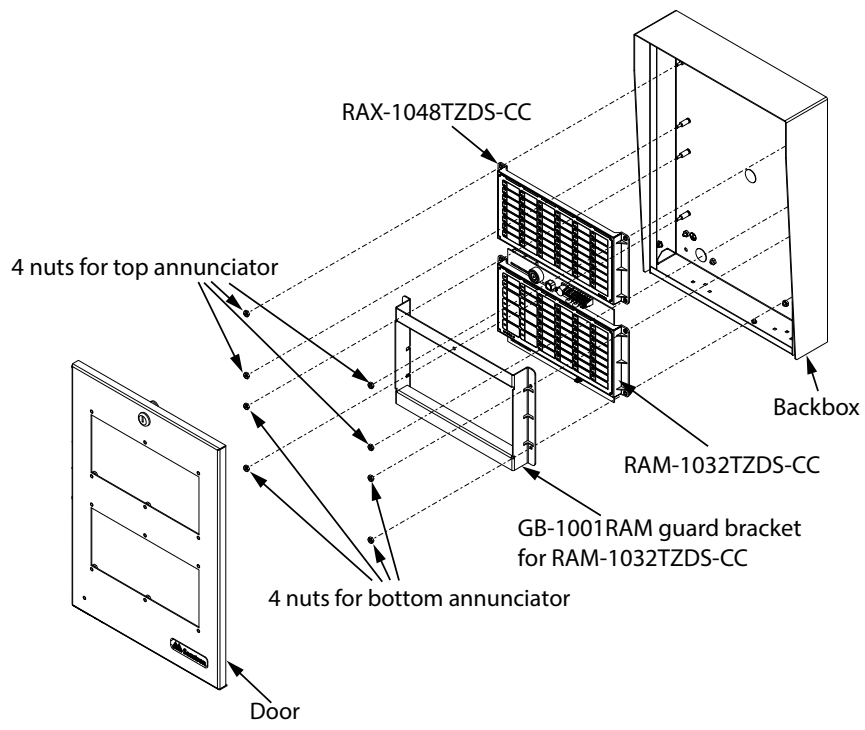
Notes: MMX-BB-1001WPA is a white model. MMX-BB-1001WPRA is a red model.
Connect chassis ground stud to earth ground.

To prevent water from entering the box:

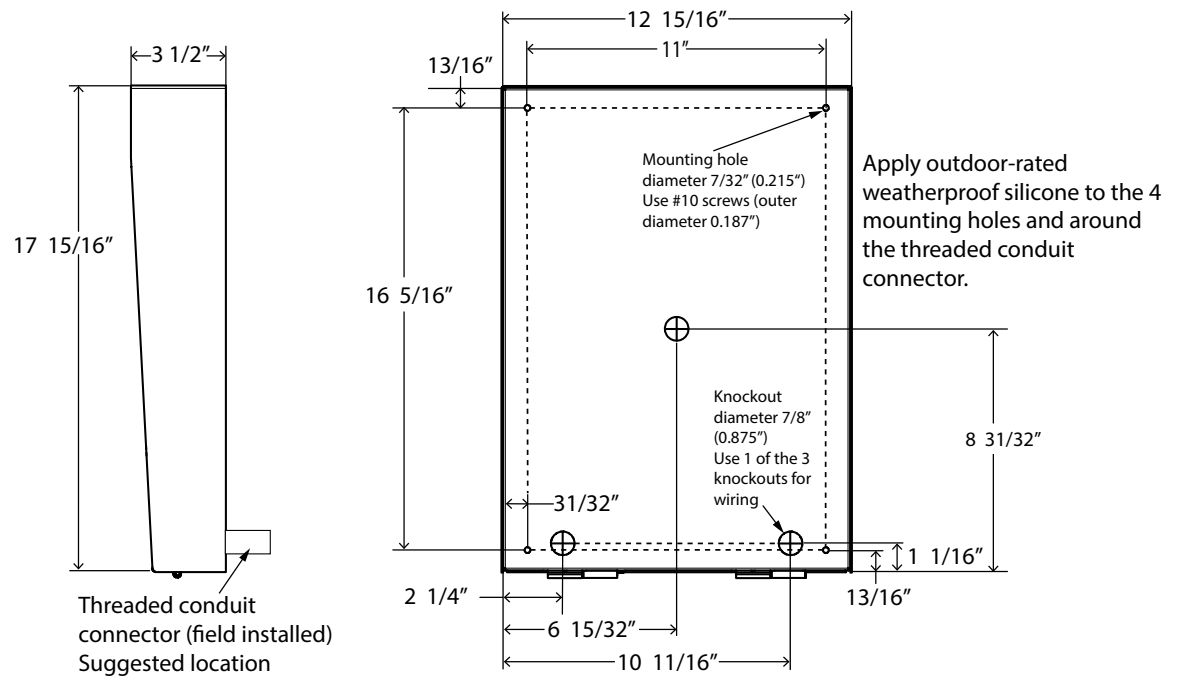
- Use a threaded conduit connector to provide entry for cables.
- Apply outdoor-rated weatherproof silicone to the 4 mounting holes and around the threaded conduit connector.

Refer to RAM-1032TZDS in LT-617 RA-1000 Series Manual for wiring instructions, DIP switch settings, and operation.

MMX-BB-1002WP(R)A Annunciator Installation



MMX-BB-1002WP(R)A External Dimensions



Notes: MMX-BB-1002WPA is a white model. MMX-BB-1002WPRA is a red model.
Connect chassis ground stud to earth ground.

To prevent water from entering the box:

- Use a threaded conduit connector to provide entry for cables.
- Apply outdoor-rated weatherproof silicone to the 4 mounting holes and around the threaded conduit connector.

Refer to RAM-1032TZDS and RAX-1048TZDS in LT-617 RA-1000 Series Manual for wiring instructions, DIP switch settings, and operation.