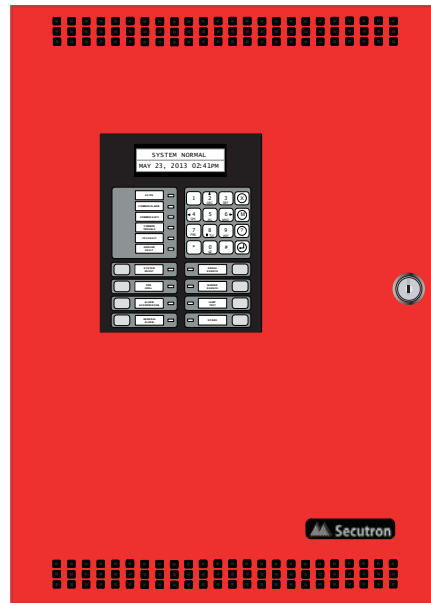


# Model MR-2350-60-DR Panel



**MR-2350-60-DR**

The MR-2350-60-DR Fire Alarm Panel has the following features:

- Multi-zone fire alarm control panel with 2 x 20 LCD display.
- 1 addressable loop with 60 devices per loop. Four Power Limited Class B (Style Y) indicating circuits (max 1.7 Amps each - 5 Amps total).
- Dedicated common alarm, supervisory, trouble, and auxiliary alarm relays.
- An optional MR-2300-NC4 Class A converter module may be used to convert the indicating circuits (NACs) to Class A (Style Z).
- Additional outputs include connections for a MR-2300T remote trouble indicator, MR-2300-PR Reverse Polarity Module, an RS-485 bus for connection of up to seven MR-2300-LCDR/W annunciators, MR-2312-SR12 smart relays and RA-1000 Series annunciators.
- Auxiliary power is available in the form of 24V FWR unfiltered and unsupervised, 24VDC filtered and regulated, and resettable auxiliary power supply.

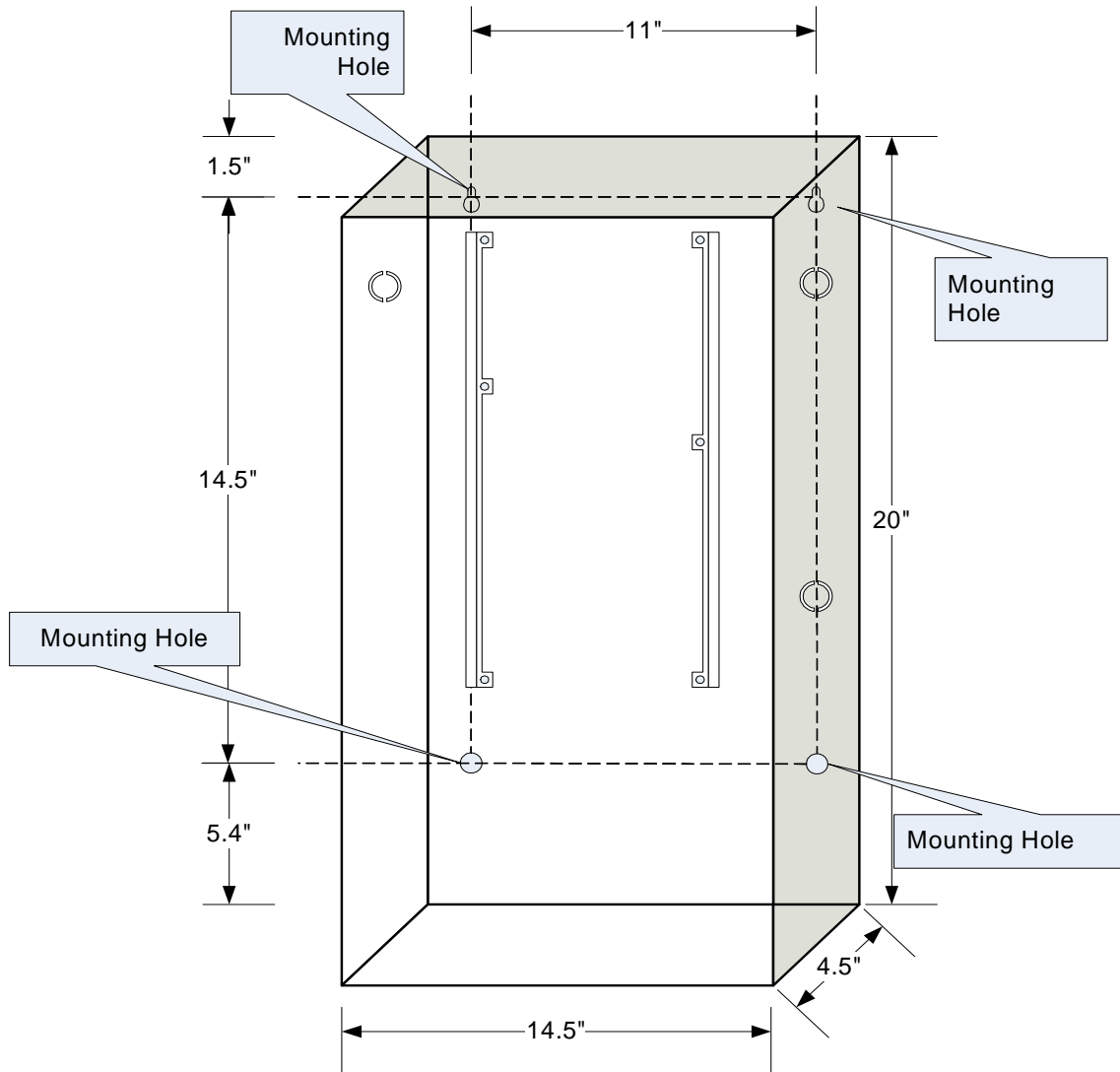


**Attention: For all other installation and configuration information other than mechanical, refer to main manual LT-959SEC and LT-1040SEC.**

# Mechanical Installation

## Surface Mounting of the MR-2350-60-DR Enclosure

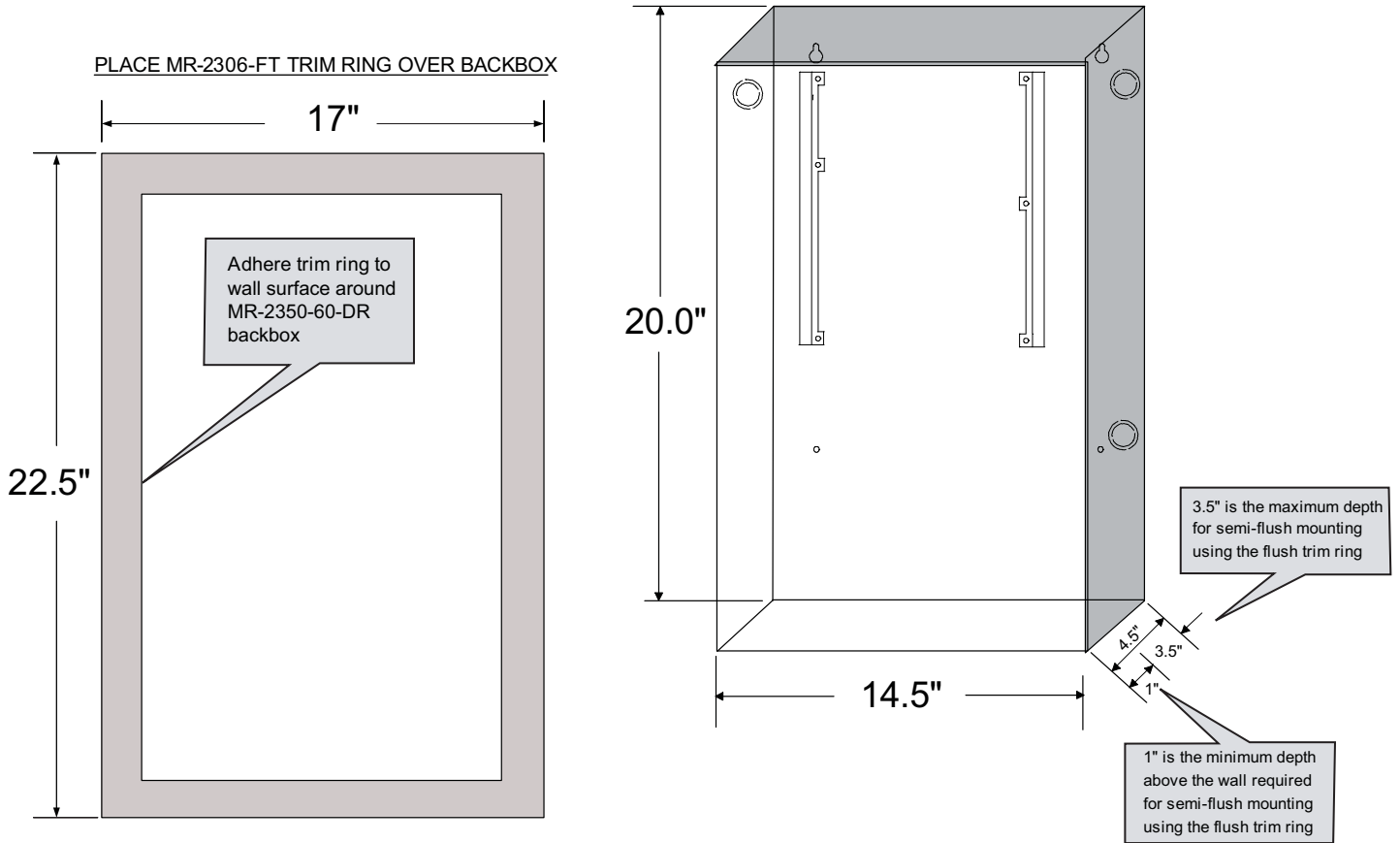
The dimensions of the MR-2350-60-DR Fire Alarm Panel enclosure are shown in Figure 1 below. Use the four mounting holes and the screws provided to surface mount the backbox to the wall.



**Figure 1 Surface Mounting of the MR-2350-60-DR Enclosure**

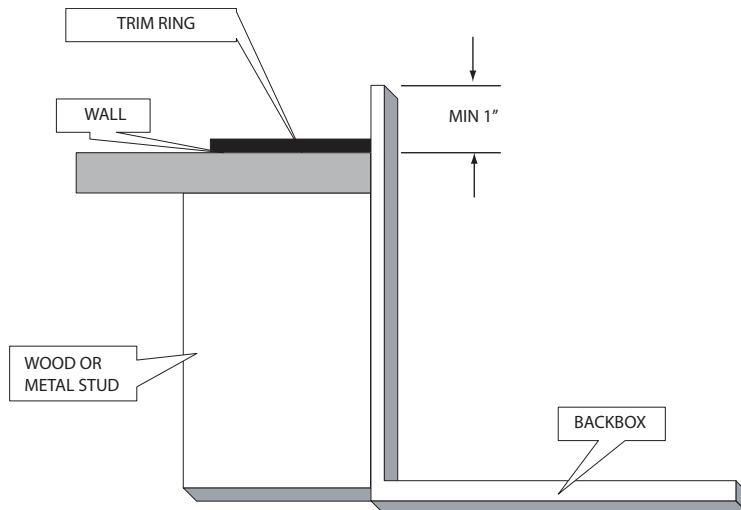
## Flush Mounting of the MR-2350-60-DR Enclosure

The enclosure may be semi-flush mounted in the wall. Refer to Figure 2 for dimensions of the backbox. Prepare the hole in the wall, insert the backbox. Allow the backbox to stick out of the wall at least 1 inch. Refer to Figure 3. The trim ring is placed over the backbox against the wall. The door is mounted on top of the trim ring.



**Figure 2 Flush Mounting of the MR-2350-60-DR Enclosure**

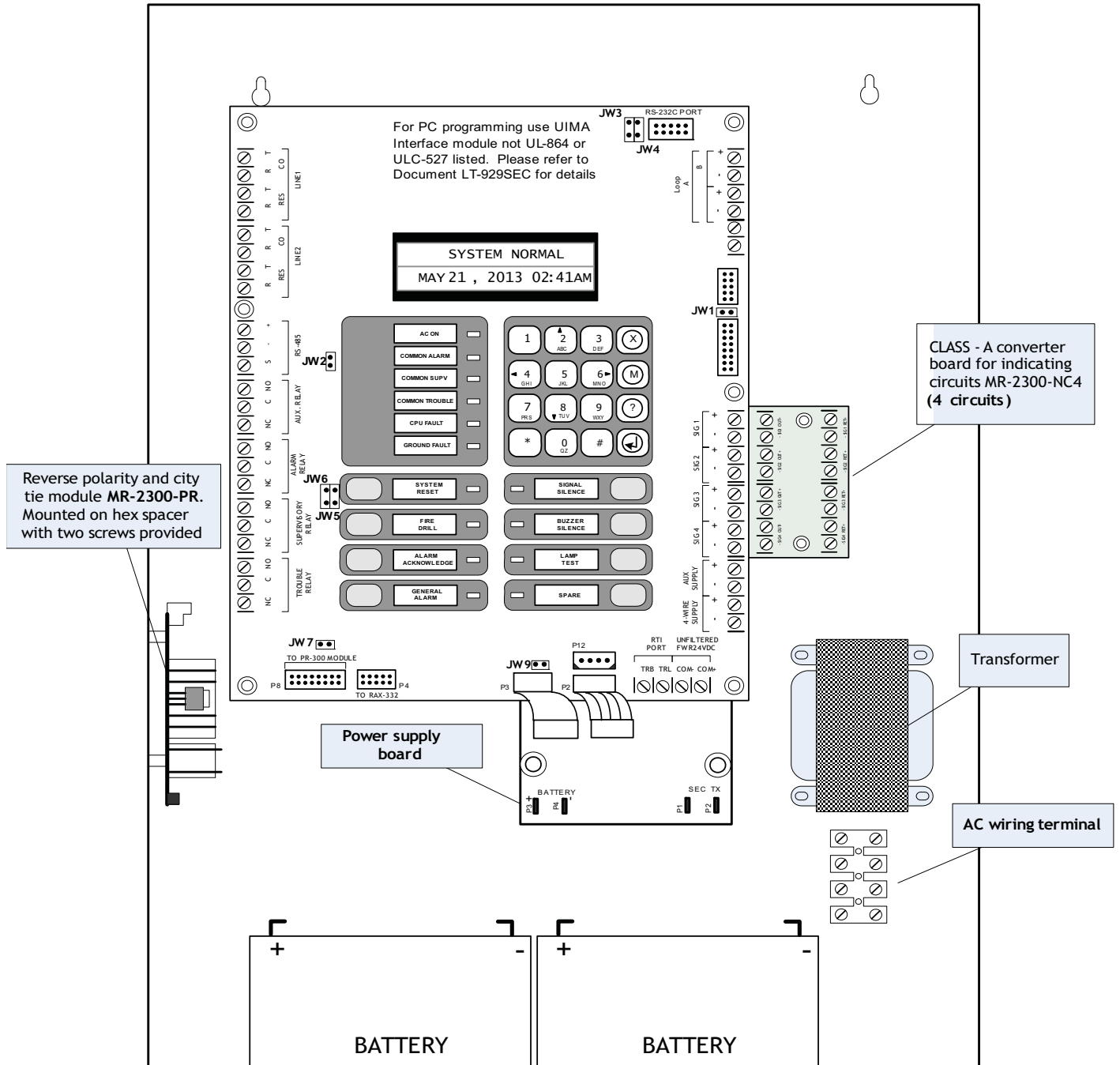
The figure below shows a cross-section of the semi-flush mounted backbox and the trim ring. **Make sure to allow a minimum depth of 1" above the wall surface for proper door opening.**



**Figure 3 Flush Trim Detail**

# Installing Adder Modules

The MR-2350-60-DR Fire Alarm panel come pre-assembled with all components and boards except for Adder Modules. The location of adder modules such as the MR-2300-PR Polarity Reversal and MR-2300-NC4 Class A Converter are shown in Figure 4 below.



**Figure 4 Installation of Adder Modules**



**Attention: For all other installation and configuration information refer to main manual LT-959SEC and LT-1040SEC.**