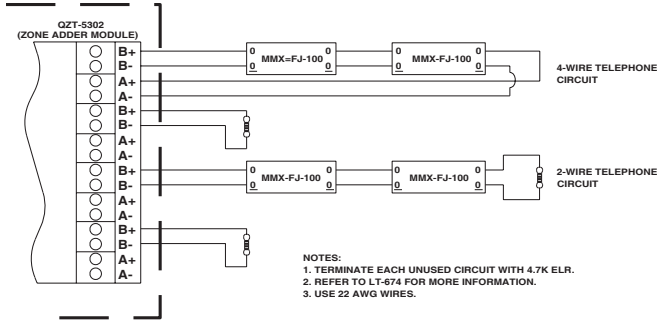


Secutron™ MMX-FJ-100 Installation Instructions

Secutron's Fire Fighter's Telephone Jack (MMX-FJ-100) is designed to function as a remote telephone receptacle for Secutron's Portable Fire Fighters' Telephone Handset (FH-100A) via the Zone Adder Module (QZT-5302). This receptacle mounts into a standard single gang box (box not included with receptacle). The receptacle consists of a single phone jack mounted on an attractive, single gang, stainless steel plate with reliable screw type terminals for quick and accurate wiring to the system. This receptacle enables the user (fireman) to call in by plugging the portable handset (FH-100A) into the phone jack (MMX-FJ-100).

INSTALLATION

1. Wire the unit as shown in wiring diagram on the opposite side.
2. Mount the unit into the single gang box using the two screws supplied.



NOTES:
 1. TERMINATE EACH UNUSED CIRCUIT WITH 4.7K ELR.
 2. REFER TO LT-674 FOR MORE INFORMATION.
 3. USE 22 AWG WIRES.

OPERATION

1. To call in, obtain a Portable Handset (FH-100) from the handsets storage cabinet (FHC-300). Ask the building caretaker for the key required to open the cabinet.
2. Plug-in the handset into the phone jack. The "led" indicator on the master station (usually situated in the lobby area) will light up and the buzzer will sound indicating an emergency call is on line.
3. The other fireman will then be able to communicate with the caller by simply selecting the appropriate zone by pushing the button to engage communication link.
4. To end the communication, simply unplug the handset.
5. Return the handset back to the handsets storage cabinet when finished.

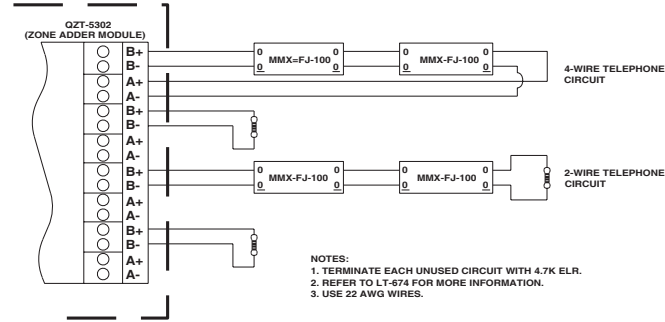
LT-437SEC Rev.0

Secutron™ MMX-FJ-100 Installation Instructions

Secutron's Fire Fighter's Telephone Jack (MMX-FJ-100) is designed to function as a remote telephone receptacle for Secutron's Portable Fire Fighters' Telephone Handset (FH-100A) via the Zone Adder Module (QZT-5302). This receptacle mounts into a standard single gang box (box not included with receptacle). The receptacle consists of a single phone jack mounted on an attractive, single gang, stainless steel plate with reliable screw type terminals for quick and accurate wiring to the system. This receptacle enables the user (fireman) to call in by plugging the portable handset (FH-100A) into the phone jack (MMX-FJ-100).

INSTALLATION

1. Wire the unit as shown in wiring diagram on the opposite side.
2. Mount the unit into the single gang box using the two screws supplied.



NOTES:
 1. TERMINATE EACH UNUSED CIRCUIT WITH 4.7K ELR.
 2. REFER TO LT-674 FOR MORE INFORMATION.
 3. USE 22 AWG WIRES.

OPERATION

1. To call in, obtain a Portable Handset (FH-100) from the handsets storage cabinet (FHC-300). Ask the building caretaker for the key required to open the cabinet.
2. Plug-in the handset into the phone jack. The "led" indicator on the master station (usually situated in the lobby area) will light up and the buzzer will sound indicating an emergency call is on line.
3. The other fireman will then be able to communicate with the caller by simply selecting the appropriate zone by pushing the button to engage communication link.
4. To end the communication, simply unplug the handset.
5. Return the handset back to the handsets storage cabinet when finished.

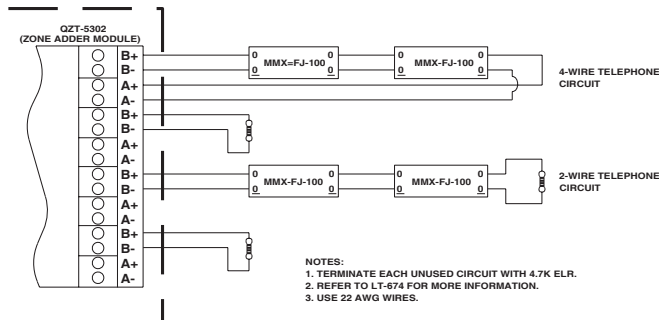
LT-437SEC Rev.0

Secutron™ MMX-FJ-100 Installation Instructions

Secutron's Fire Fighter's Telephone Jack (MMX-FJ-100) is designed to function as a remote telephone receptacle for Secutron's Portable Fire Fighters' Telephone Handset (FH-100A) via the Zone Adder Module (QZT-5302). This receptacle mounts into a standard single gang box (box not included with receptacle). The receptacle consists of a single phone jack mounted on an attractive, single gang, stainless steel plate with reliable screw type terminals for quick and accurate wiring to the system. This receptacle enables the user (fireman) to call in by plugging the portable handset (FH-100A) into the phone jack (MMX-FJ-100).

INSTALLATION

1. Wire the unit as shown in wiring diagram on the opposite side.
2. Mount the unit into the single gang box using the two screws supplied.



NOTES:
 1. TERMINATE EACH UNUSED CIRCUIT WITH 4.7K ELR.
 2. REFER TO LT-674 FOR MORE INFORMATION.
 3. USE 22 AWG WIRES.

OPERATION

1. To call in, obtain a Portable Handset (FH-100) from the handsets storage cabinet (FHC-300). Ask the building caretaker for the key required to open the cabinet.
2. Plug-in the handset into the phone jack. The "led" indicator on the master station (usually situated in the lobby area) will light up and the buzzer will sound indicating an emergency call is on line.
3. The other fireman will then be able to communicate with the caller by simply selecting the appropriate zone by pushing the button to engage communication link.
4. To end the communication, simply unplug the handset.
5. Return the handset back to the handsets storage cabinet when finished.

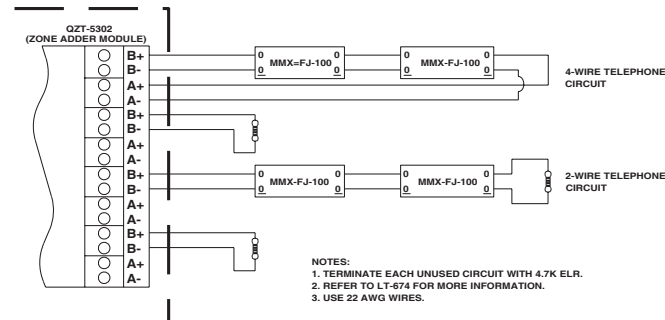
LT-437SEC Rev.0

Secutron™ MMX-FJ-100 Installation Instructions

Secutron's Fire Fighter's Telephone Jack (MMX-FJ-100) is designed to function as a remote telephone receptacle for Secutron's Portable Fire Fighters' Telephone Handset (FH-100A) via the Zone Adder Module (QZT-5302). This receptacle mounts into a standard single gang box (box not included with receptacle). The receptacle consists of a single phone jack mounted on an attractive, single gang, stainless steel plate with reliable screw type terminals for quick and accurate wiring to the system. This receptacle enables the user (fireman) to call in by plugging the portable handset (FH-100A) into the phone jack (MMX-FJ-100).

INSTALLATION

1. Wire the unit as shown in wiring diagram on the opposite side.
2. Mount the unit into the single gang box using the two screws supplied.



NOTES:
 1. TERMINATE EACH UNUSED CIRCUIT WITH 4.7K ELR.
 2. REFER TO LT-674 FOR MORE INFORMATION.
 3. USE 22 AWG WIRES.

OPERATION

1. To call in, obtain a Portable Handset (FH-100) from the handsets storage cabinet (FHC-300). Ask the building caretaker for the key required to open the cabinet.
2. Plug-in the handset into the phone jack. The "led" indicator on the master station (usually situated in the lobby area) will light up and the buzzer will sound indicating an emergency call is on line.
3. The other fireman will then be able to communicate with the caller by simply selecting the appropriate zone by pushing the button to engage communication link.
4. To end the communication, simply unplug the handset.
5. Return the handset back to the handsets storage cabinet when finished.

LT-437SEC Rev.0