

Mechanical Installation for the MR-2300 and MR-2320 Series Backboxes and Chassis

All the MR-2300 Series Fire Alarm Panels including the MR-2320 Series have a new chassis. See the following diagrams; Figure 1 for the small panel versions of all the series and Figure 2 for the larger panel version of the MR-2300 series.

Figure 1: Backbox and Trim Ring Dimensions for Models MR-2303-DR/-DDR, MR-2306-DDR, and MR-2320-R/-W/-DR/-DW

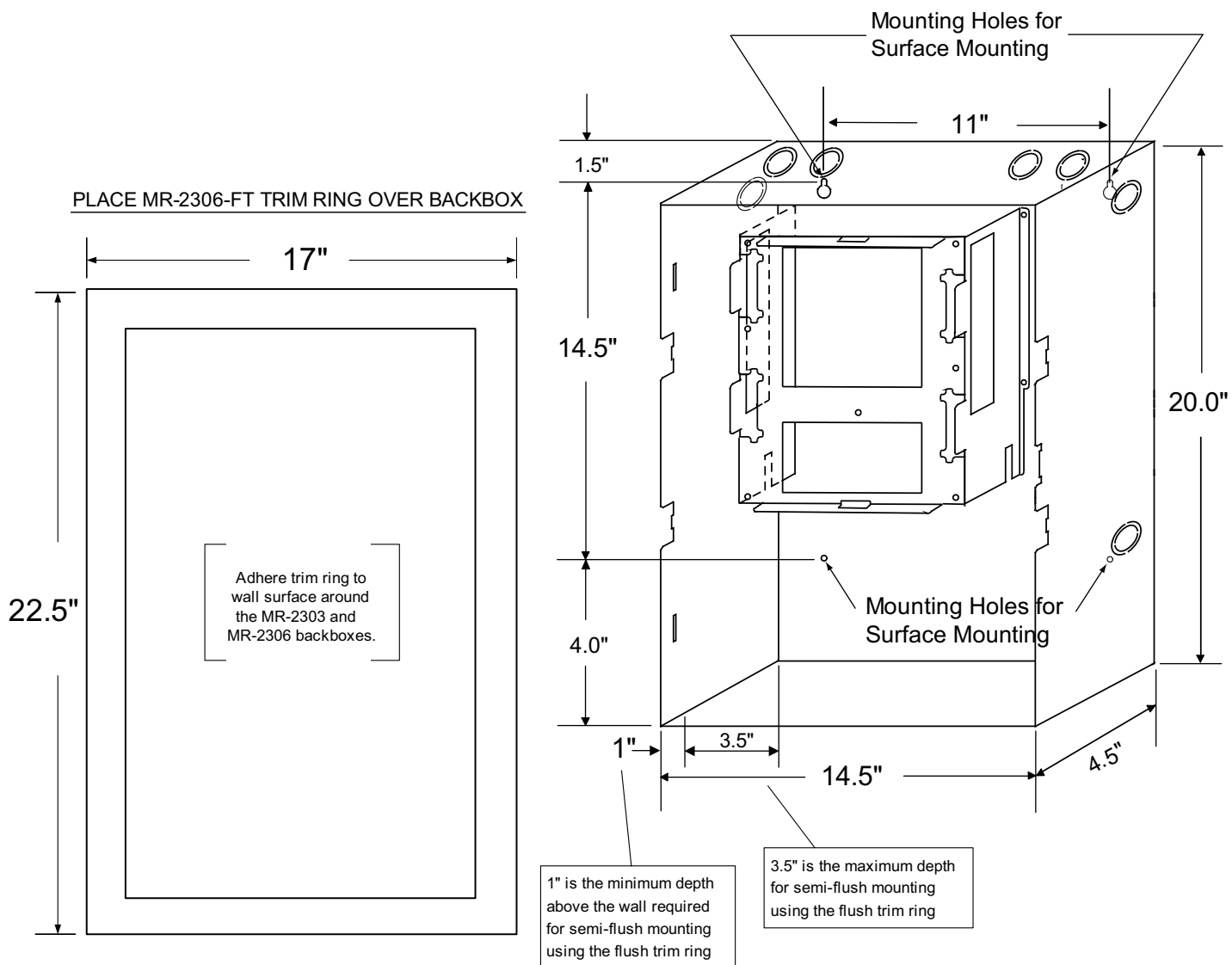
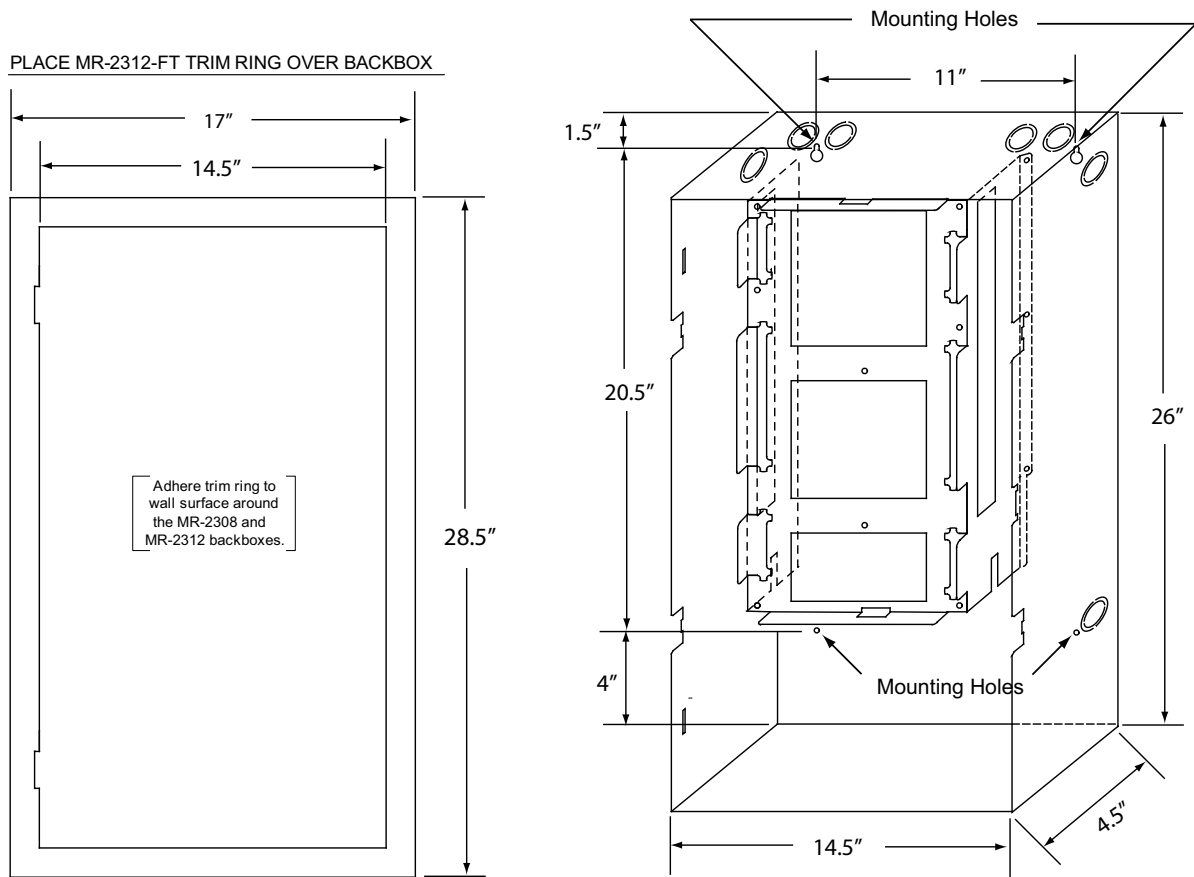


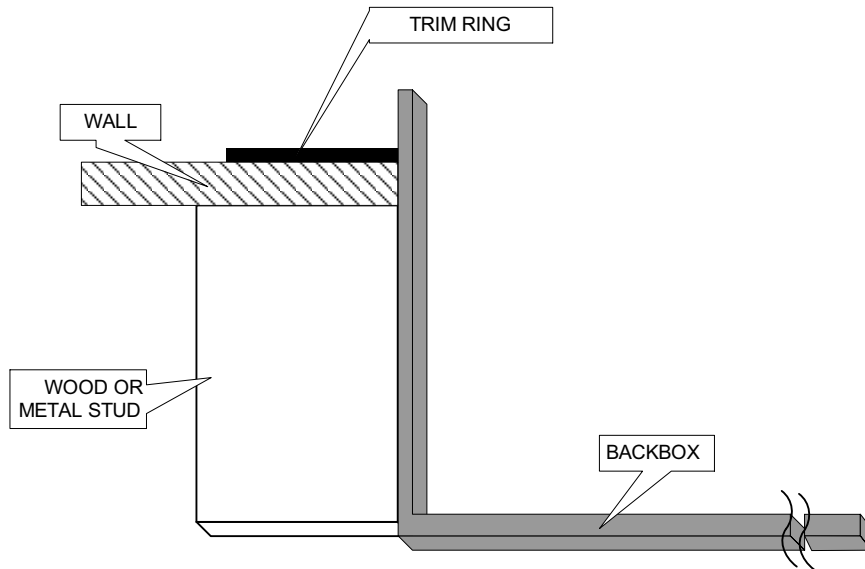
Figure 2: Backbox and Trim Ring Dimensions for Models MR-2308-LR/-LDR and MR-2312-LDR/-DDR



Mounting the Boards to the Chassis

The main board is mounted to the chassis and is shipped out this way. All adder modules are mounted in the same manner as explained in the respective fire alarm manual.

Figure 3: Cross-Section of Flush Mounted Backbox



Wiring

All wiring is as explained in the respective fire alarm panel manual.