



Description

The UDACT-300A Digital Alarm Communicator Transmitter/Dialer Module allows Mircom’s FA-1000, FX-2000 or FleX-Net Series Fire Alarm Control Panels to transmit Alarm, Supervisory and Trouble information on two telephone lines to a monitoring facility.

The UDACT-300A is powered by the host fire alarm control panel and communicates with the fire alarm control panel via an RS-485 data link. The Digital Communicator can be programmed for dual line operation and uses the Security Industry Association (SIA) and Ademco Contact ID reporting protocols.

The UDACT-300A can be configured locally via the on-board keypad and the CFG-300 Configuration Tool or with a UIMA programming tool and a computer with an available serial or USB port. In addition the UDACT-300A can be remotely configured using a personal computer with a modem.

The UDACT-300A can be configured for either DACT or UDACT operation. In DACT mode the Digital Communicator reports common alarm, trouble and supervisory information. In UDACT mode the Digital Communicator reports point specific information. In addition the UDACT-300A is equipped with the ZDACT feature that allows for input circuits on the FX-2000 or FleX-Net panel to be grouped into software zones for the purpose of reporting to a central monitoring station.

Features

- Communicates with Mircom’s FA-1000, FX-2000 or FleX-Net Series fire alarm control panels via an RS-485 data link
- Programmed to use the Ademco Contact ID and SIA-DCS reporting protocols
- Can be configured for DACT or UDACT mode of operation
- DACT mode transmits a common Alarm, Supervisory, Waterflow and Trouble information
- UDACT mode transmits point-specific Alarm, Supervisory, Waterflow, and Trouble information
- ZDACT feature allows for input circuits on the FX-2000 or FleX-Net panel to be grouped into software zones so that the UDACT-300A will report any individual event as a group event
- Reports either the circuit number or the combination of loop number and address when used with the FX-2000 or FleX-Net Series
- Event number offset for output circuit numbers provides the ability for each circuit on an FX-2000 or FleX-Net Series panel to have a unique circuit number transmitted to the monitoring station
- Override feature allows for the device type to be changed from the standard input type on the FX-2000 or FleX-Net Series panel to a pre-defined input type that is sent to the monitoring station
- UDACT-300A has the ability of disconnecting the incoming and outgoing calls and capturing the line for transmission to the Digital Alarm Communicator Receiver (DACR)
- Onsite or remote programming
- Onsite configurable with the on-board keypad and the CFG-300 Configuration Tool or using the UIMA Programming Tool and a computer with an available serial or USB port
- Remotely configurable via a Personal Computer with a modem (Configuration is passcode protected)
- Provides telephone line monitoring and reports status via LED indication on-board
- Provides event logs of 500 entries each to save events from local dialer or remote fire alarm panel
- Logs can be reviewed locally with the CFG-300 Configuration Tool or remotely via modem
- Continuously supervises the status of each of two connected telephone lines at approximately one minute intervals
- Mounts in a dedicated location in the FA-1000, FX-2000 or FleX-Net Series main chassis



S7010



S7010



7165-1477:111



313-97-E



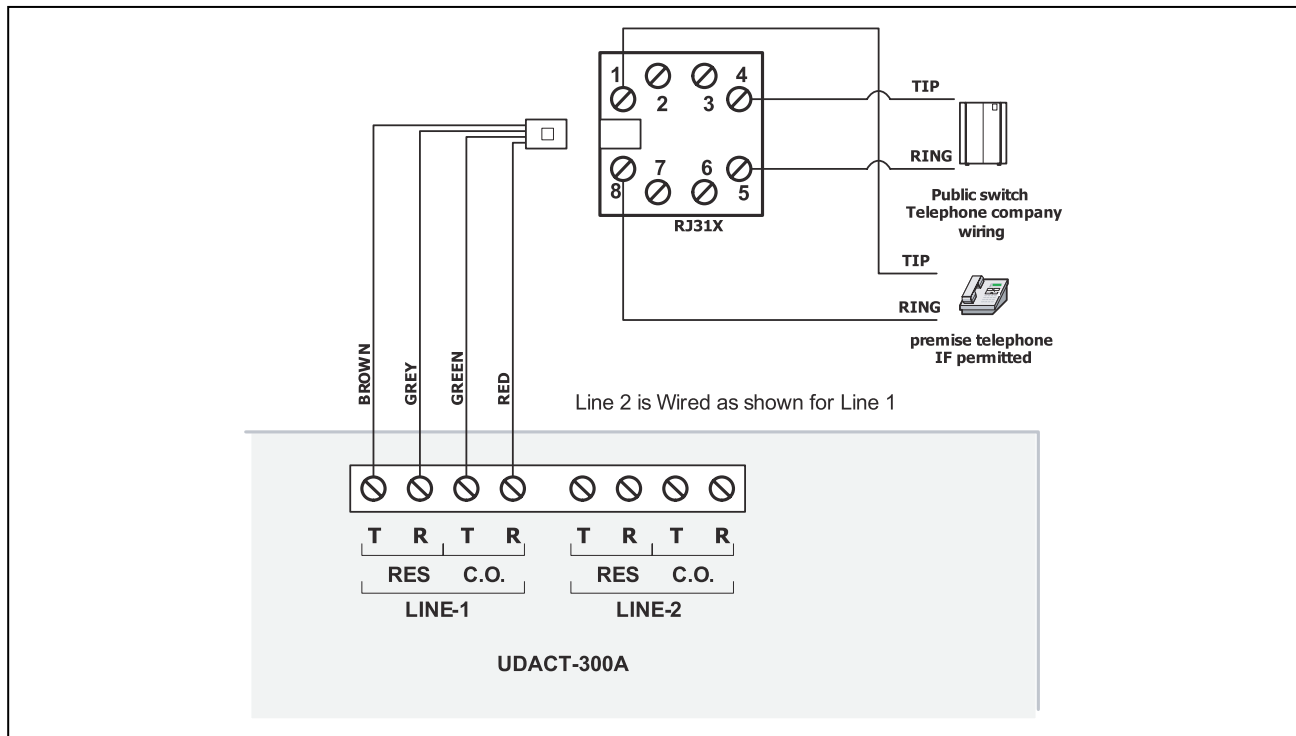
CFG-300 Configuration Tool

The CFG-300 Configuration Tool is required for onsite programming of the UDACT-300A. The CFG-300 plugs into the UDACT-300A to provide a two line by 20 character LCD display. The CFG-300 tool is used for configuration purposes only and not for normal operation.

Current Consumption

Standby	40 mA
Alarm	60 mA

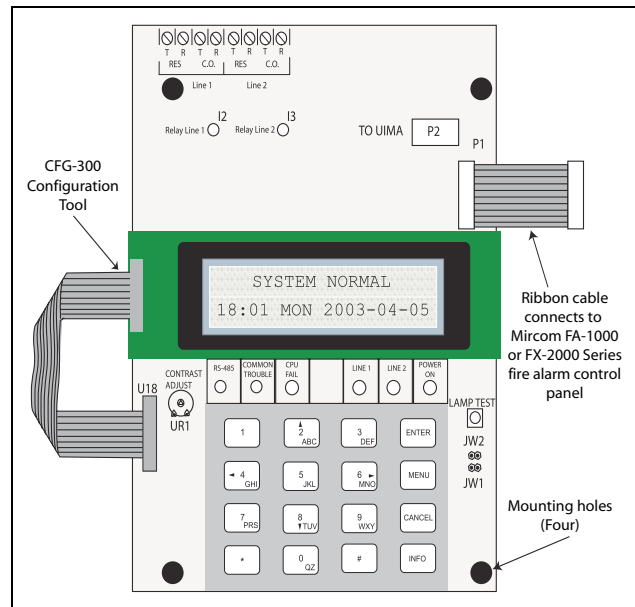
UDACT-300A Wiring Diagram



Ordering Information

Model	Description
UDACT-300A	Universal Digital Alarm Communicator Transmitter
CFG-300	Configuration Tool
UIMA	Universal Programming Tool

UDACT-300A Connection Diagram



NOT TO BE USED FOR INSTALLATION PURPOSES.



Canada

25 Interchange Way
Vaughan, Ontario L4K 5W3
Telephone: (905) 660-4655
Fax: (905) 660-4113

U.S.A.

4575 Witmer Industrial Estates
Niagara Falls, NY 14305
Toll Free: (888) 660-4655
Fax Toll Free: (888) 660-4113

Web page: <http://www.mircom.com>

Email: mail@mircom.com

Distributed by:



ISO 9001:2008
REGISTERED



CAT. 9629X
Rev. 1