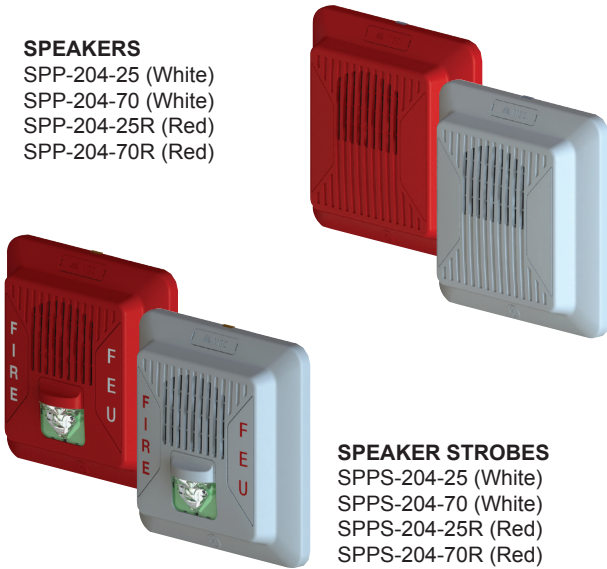


SPEAKERS

- SPP-204-25 (White)
- SPP-204-70 (White)
- SPP-204-25R (Red)
- SPP-204-70R (Red)



SPEAKER STROBES

- SPPS-204-25 (White)
- SPPS-204-70 (White)
- SPPS-204-25R (Red)
- SPPS-204-70R (Red)

Features

- Advanced LED technology provides superior current draw performance across the entire range of candela settings
- 25Vrms or 70.7Vrms Speaker only or Speaker Strobe options
- Speaker power settings: ¼, ½, 1, 2 W
- Field selectable candela settings: 15, 30, 75, 110, 185, 15/75
- Standard and high candela settings in one unit (speaker strobe) to meet virtually any application
- User friendly candela selector tab on device
- DIP switch setting for Sync and Non-sync selection
- Mounts directly to 4" square x 2 1/8" deep box
- Red or white options
- Enhance emergency communication with white models featuring an 'ALERT' insert.

Description

The Wall Speaker and Speaker Strobes SPP-204 and SPPS-204 Series offer an audible/visual solution that delivers exceptional energy efficiency in a compact design.

Utilizing advanced LED technology, SPPS-204 Series provides a much lower current draw than xenon bulb technology. This in turn allows for more devices on a notification appliance circuit while reducing the number of external power supplies required.

When flash synchronization is required, the built-in synchronization on the control unit can be used or can be done through a synchronization module.

The SPPS-204 speaker strobe and the SPP-204 speaker are designed to meet NFPA 72, UL1480, UL1638, UL 1971, ULC S541, ULC S526 requirements for visual and audible notification appliance.

Benefits

Energy Efficient: Ultra low current draw (33mA at 15cd). Allows for a higher capacity of notification devices per circuit and eases external power supply requirements.

Flexible: Multiple language plastic inserts included with speaker strobes (English/French/Spanish).

Simple: Utilizes standard 4" back box for easy installation.

Specifications

Operating temperature	0°C to 50°C (32°F to 122°F)
Humidity range	0% to 93%
Strobe flash rate	1 Hz (1 flash per sec.)
Nominal strobe voltage	Regulated 24VDC/VFWR
Operating voltage range	16-33 VDC/VFWR
Nominal speaker voltage	25V or 70.7Vrms
Speaker Size	6"L x 6"W x 3.45"D (max)
Power Setting	¼, ½, 1, 2 W
Speaker Frequency Range	400 - 4000 Hz
Terminal wire gauge	12-22 AWG



Audible Ratings

SOUND PRESSURE LEVEL OUTPUT

SPP-204 SERIES				
WATT Tap	UL Reverberant (dBA@10ft)		UL Anechoic (dBA@3m)	
	70	25	70	25
2	88.5	88.5	85.5	86.5
1	86.2	86.5	81.9	83.1
1/2	83.4	83.7	79.2	80.3
1/4	80.2	80.5	76.0	76.9

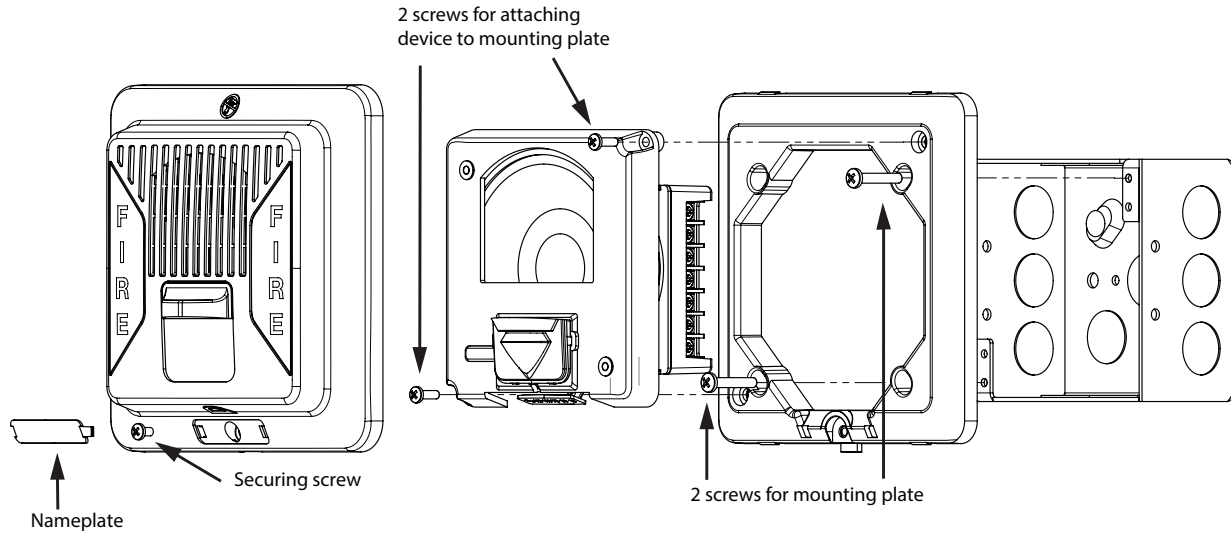
SPPS-204 SERIES				
WATT Tap	UL Reverberant (dBA@10ft)		UL Anechoic (dBA@3m)	
	70	25	70	25
2	88.4	88.4	86.5	85.8
1	86.1	86.3	83.9	83.5
1/2	83.4	83.6	81.1	80.7
1/4	80.1	80.3	77.9	77.5

Strobe Ratings

STROBE OPERATION RMS CURRENTS (mA)

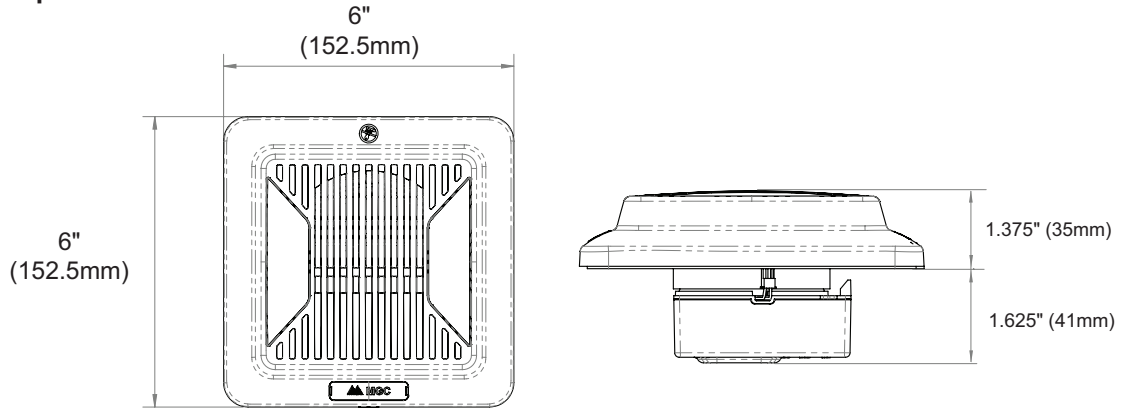
SPPS-204 SERIES		
Candela	Regulated 24VDC	Regulated 24VFWR
15	33	27
30	55	53
75	98	93
110	193	177
185	268	241
15/75	102	98

Mounting

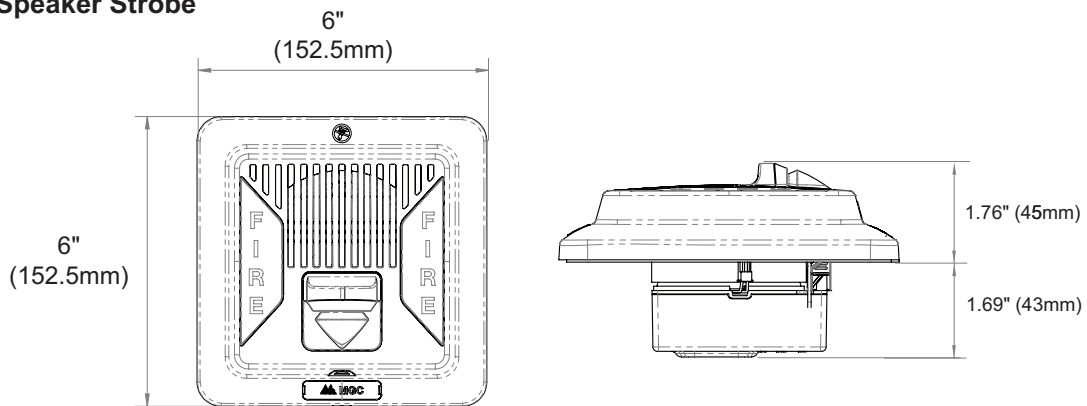


Dimensions

Wall Speaker



Wall Speaker Strobe



Ordering Information

Model	Description
SPP-204-25	Wall mounted speaker 25V white
SPP-204-70	Wall mounted speaker 70V white
SPP-204-25R	Wall mounted speaker 25V red
SPP-204-70R	Wall mounted speaker 70V red
SPPS-204-25	Wall mounted speaker strobe 25V white
SPPS-204-70	Wall mounted speaker strobe 70V white
SPPS-204-25R	Wall mounted speaker strobe 25V red
SPPS-204-70R	Wall mounted speaker strobe 70V red



Canada

25 Interchange Way Vaughan, ON L4K 5W3
Telephone: (905) 660-4655 | Fax: (905) 660-4113

U.S.A.

4575 Witmer Industrial Estates Niagara Falls, NY 14305
Toll Free: (888) 660-4655 | Fax Toll Free: (888) 660-4113

www.mircom.com

This document is provided by Mircom Technologies Ltd., MGC Systems Corp., or their affiliates, subsidiaries and brands, for convenience or marketing only and does not describe products or services technically. For technical information refer to technical manuals. We do not make representations or warranties regarding this information, including as to completeness or accuracy. We may change these contents at any time and reserve all rights in the contents, including copyrights, trademarks and other intellectual property.