

MRM-710APU

**Advance Protocol
Intelligent Manual Station**



Features

- D□ R
- □VD
- 3UD □D□ □ □ UVVD□
OR
- 5RDU□V□RU□□□□□□□□□□
□□□□□□□□□□□□□□□□
□□□□□□□□□□□□□□□□
- BVV□□□□
- 3DV□□DUR
- 0V□ □ □□□□□□□□□□
- 0RV□□□□□□□□□□□□□□□□
□50□ □□□□□□□□□□□□□□□□
□□□□□□□□□□□□□□□□□□□□

Description

Secutron's MRM APU Advanced Protocol Intelligent Manual Station is made of a high quality die cast metal and is available as a dual action device. It resets and a permanent attached intelligent module. The intelligent manual station as a pair of rotary decimal switches for address setting. Pulling the handle initiates the operation of the intelligent module.

The MRM APU is available in CAT 1 and 2 and can be mounted on a standard single gang back box. Secutron model MRM interior surface metal back box or MRM WP weather proof back box.

Secutron's Advanced Protocol AP devices use a high speed communication protocol that greatly increases the speed of communication between the intelligent devices. Secutron's Advanced Protocol uses a superior group polling method as well as an interrupt feature that provides for a faster response to an alarm condition. In addition the Advanced Protocol allows for greater system capacity support for up to 1000 devices per SLC circuit. The AP devices are backwards compatible to operate in CLIP mode for legacy system applications.

Operation

The MRM APU Dual Action Intelligent Manual Station is operated by pushing the bar labeled PUSH BAR and then pulling down the handle marked PULL HANDLE. The MRM APU is reset by opening the station to the normal position and relocating the station.

Specifications

The manual stations shall be Secutron's MRM APU. Operating instructions shall be in raised English lettering and the units shall be constructed of high quality die cast metal and finished in red enamel paint to provide unique identification. Pulling the handle shall initiate immediate operation of the intelligent addressable module. All manual fire alarm stations shall be installed as per the specific requirements outlined in the UL codes as well as all other applicable national or local codes. Final acceptance is subject to the local authority having jurisdiction.



Specifications

Manual Station Dimensions: Color: 4.93" H x 3.56" W x 2.9" D
 Red with raised white letters, white manual bar with raised black letters.

Current Consumption @24V: Operating: 400 μ A
 Alarm: 600 μ A

Surface Mount Backboxes



MRM-700 Surface Mount Backbox

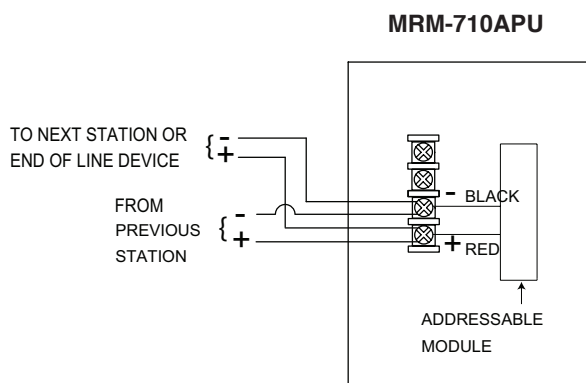
Dimensions:
 5" H x 3.6" W x 2.0" D



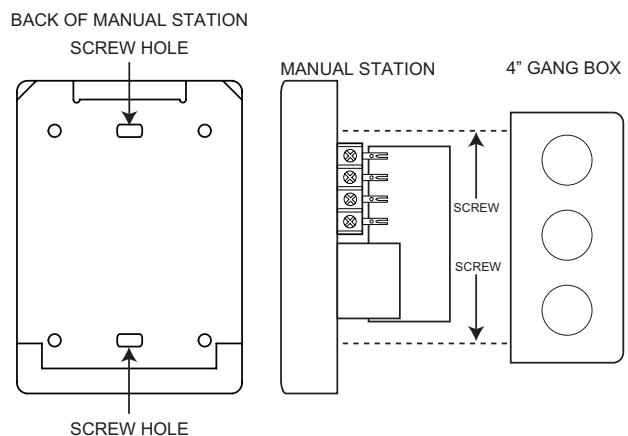
MRM-700WP Weatherproof Surface Mount Backbox

Dimensions:
 5" H x 3.6" W x 2.2" D

Typical Wiring Diagram



Mounting Diagram



Ordering Information

Model	Description
MRM-710APU	Advanced Protocol Intelligent Addressable Key Resettable Dual Action Manual Station
MRM-700	MRM-700U Series Interior Surface Mount Backbox, Red Finish
MRM-700WP	MRM-700U Series Weatherproof Surface Mount Backbox, Red Finish