

## 4" RETROFIT SPEAKER



### Description

Mircom's SP-304A-25W and SP-304A-70W are retrofit speakers designed for broadcasting high quality tone signals and are ideal for alarm signaling in hotels, malls, apartments and other areas where attractive appearance and dependable performance are prime concerns.

The SP-Series 4" Retrofit Speakers consist of a loudspeaker, 6 oz. magnet, a low profile constant voltage line matching transformer, a D.C. blocking capacitor and an all steel speaker baffle finished in an off white colour. The 25 and 70 volt transformers are of the matching type and include output power taps of ¼, ½, 1 and 2 watt(s). Tap selection is made by wiring into the appropriate slot on the speaker's terminal block.

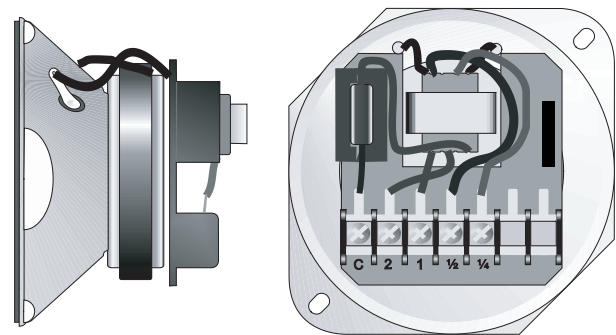
The SP-Series 4" Retrofit Speakers mount over existing apartment intercom suite stations. The suite stations that can be used are Mircom/Mirtone IS-400 Series stations, Canadian Sound and Signal's CS-10W and Couch intercom suite stations.

Mircom's fire alarm speakers are specially designed for high quality emergency fire alarm signals and voice communications. These units must be used with Mircom's QX-5000 Voice Evacuation system or with any voice alarm equipment approved by Underwriters Laboratories of Canada (ULC).

### Features

- 25 & 70 volt line matching transformers
- High dBA output (over 90 dBA at 10 feet @ 2 watts)
- D.C. blocking capacitor for line supervision
- Terminal block connection for speaker tap/output selection
- Multiple output taps. Selection for ¼, ½, 1 or 2 watts
- Moisture resistant
- Fire retardant cone material
- Factory assembled and tested
- Each speaker is equipped with a ground wire
- White speaker baffle
- Easily mounts over existing apartment intercom suite stations

### Wiring Instructions



Desired wattage is selected by wiring into the corresponding terminal on the speaker terminal block.

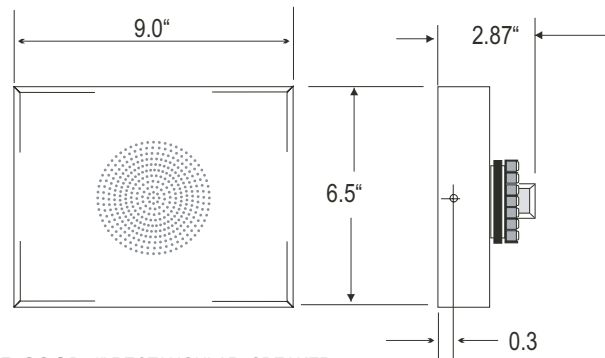
## Speaker Specifications

MODEL NUMBER	SPEAKER VOLTAGE	SPEAKER dBA 10 FT.				BAFFLE SHAPE
		WATT TAP		TYPICAL dBA		
		¼ WATT	½ WATT	1 WATT	2 WATT	
SP-304A-25W	25	85	86	89	91	RECTANGLE
SP-304A-70W	70	85	86	89	91	RECTANGLE

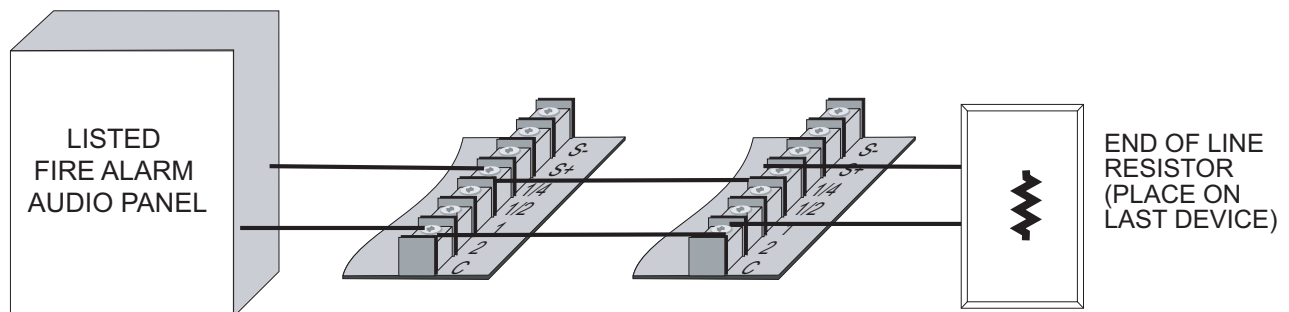
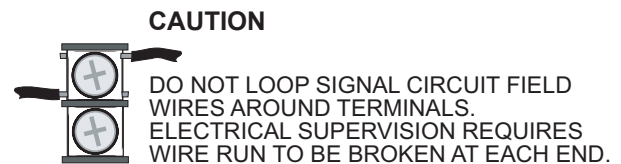
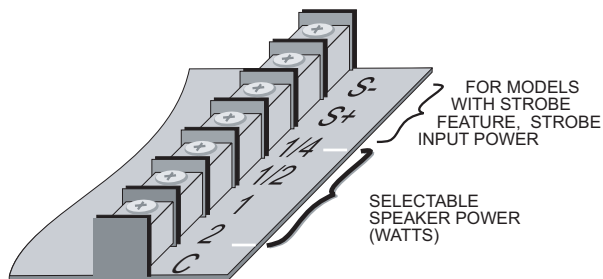
dBA Sound Pressure Level is measured using the transformer tap shown at a distance of 10 feet (3 meters). This measurement is obtained in accordance with ULC Standard CAN/ULC-S541-M87.

**NOTE: All Secutron enclosures are equipped with a ground screw hole. Each speaker unit is equipped with a ground wire.**

## Installation Instructions



SP-304A 4" RECTANGULAR SPEAKER



THIS INFORMATION IS FOR MARKETING PURPOSES ONLY AND NOT INTENDED TO DESCRIBE THE PRODUCTS TECHNICALLY.

For complete and accurate technical information relating to performance, installation, testing and certification, refer to technical literature. This document contains intellectual property of Mircom. The information is subject to change by Mircom without notice. Mircom does not represent or warrant correctness or completeness.

**7012X**

Rev.0

Page 2 of 2