

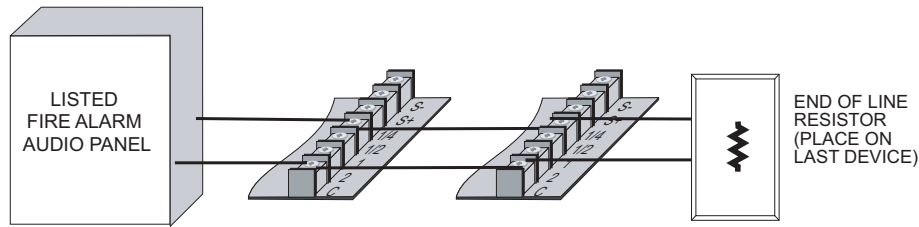
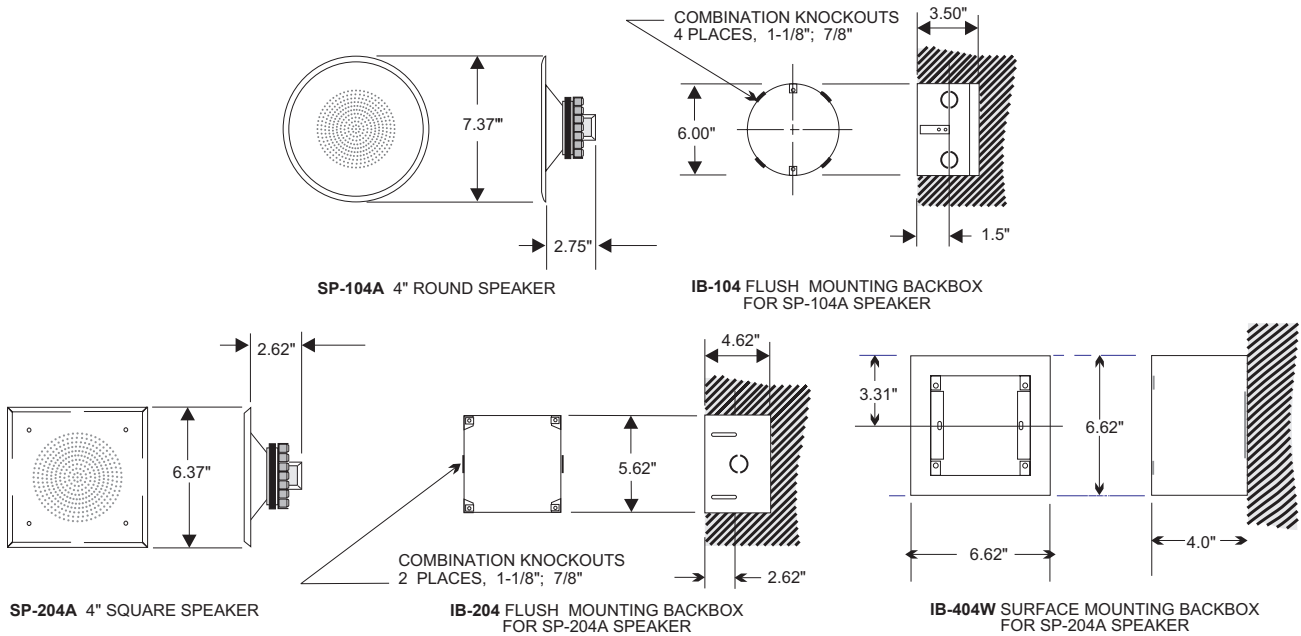
Speaker Specifications

MODEL NUMBER	SPEAKER VOLTAGE	SPEAKER dBA 10 FT.				MOUNTING CONFIGURATIONS		BAFFLE SHAPE
		WATT TAP		TYPICAL dBA		FLUSH	SURFACE	
		¼ WATT	½ WATT	1 WATT	2 WATT			
SP-104A-25W	25	85	86	89	91	IB-104	N/A	ROUND
SP-104A-70W	70	85	86	89	91	IB-104	N/A	ROUND
SP-204A-25W	25	85	86	89	91	IB-204	IB-404W	SQUARE
SP-204A-70W	70	85	86	89	91	IB-204	IB-404W	SQUARE

dBA Sound Pressure Level is measured using the transformer tap shown at a distance of 10 feet (3 meters). This measurement is obtained in accordance with ULC Standard CAN/ULC-S541-M87.

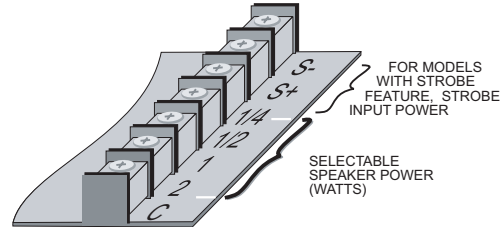
NOTE: All Secutron enclosures are equipped with a ground screw hole. Each speaker unit is equipped with a ground wire.

Installation Instructions



CAUTION

DO NOT LOOP SIGNAL CIRCUIT FIELD WIRES AROUND TERMINALS. ELECTRICAL SUPERVISION REQUIRES WIRE RUN TO BE BROKEN AT EACH END.



THIS INFORMATION IS FOR MARKETING PURPOSES ONLY AND NOT INTENDED TO DESCRIBE THE PRODUCTS TECHNICALLY.

For complete and accurate technical information relating to performance, installation, testing and certification, refer to technical literature. This document contains intellectual property of Mircom. The information is subject to change by Mircom without notice. Mircom does not represent or warrant correctness or completeness.

7010X

Rev.0
Page 2 of 2