

Specifications

General Specifications

Operating temperature	0°C to 50°C (32°F to 122°F)
Humidity Range	0% to 93%
Frequency Range:	520Hz ± 10%
Strobe Flash Rate	1Hz
Nominal Voltage	Regulated 24 VDC / 24 VFWR
Operating Voltage Range (RMS)	16 – 33 VDC / VFWR
Input Terminal Wire Gauge	22 AWG to 12 AWG
Installation Environment	For Indoor Use Only

Audible Ratings

Overall Sound Pressure Level (Reverberant) @ 10 feet (dBA)

Sound Output Level (dBA)

Voltage	Normal	High
16 VDC	78	81
24 VDC	78	81
33 VDC	79	81
16 VFWR	79	81
24 VFWR	79	82
33 VFWR	79	82

Directional Sound Characteristics

Horizontal	
± 87°	-3 dbA
± 90°	-5.1 dbA
Vertical Axis	
± 90°	-3 dbA

FHS-400-LF Operating RMS Currents (mA) @ Normal setting

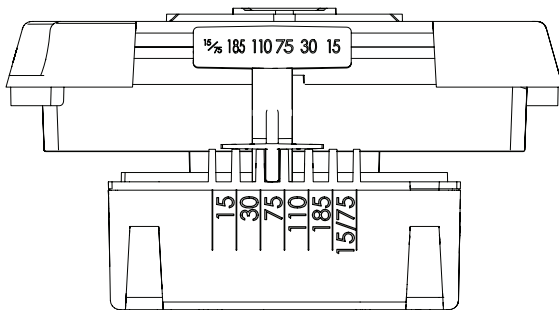
Strobe Output (cd)	15	30	75	15/75	110	185
Temporal						
16 VDC	266	242	307	298	320	400
24 VDC	219	196	247	251	255	305
33 VDC	208	169	225	230	230	272
16 VFWR	277	302	380	297	440	430
24 VFWR	258	239	282	287	370	356
33 VFWR	235	184	242	251	247	327
Continuous						
16 VDC	278	245	315	301	318	399
24 VDC	245	206	271	280	245	300
33 VDC	218	175	228	229	207	257
16 VFWR	303	268	360	317	360	450
24 VFWR	300	245	321	306	319	352
33 VFWR	256	173	259	283	279	331

Light Output Dispersion

Degrees	% of Candela Setting	
	Horizontal Dispersion	Vertical Dispersion Wall to Floor
± 0°	149	148
± 5°	146	149
± 10°	143	153
± 15°	138	135
± 20°	134	104
± 25°	128	101
± 30°	123	94
± 35°	116	92
± 40°	106	84
± 45°	99	75
± 50°	92	68
± 55°	87	65
± 60°	82	61
± 65°	78	58
± 70°	75	54
± 75°	73	49
± 80°	72	43
± 85°	81	40
± 90°	53	30
Compound ± 45°	42	

Candela Settings

The candela can be set to 15, 30, 75, 15/75, 110 and 185. The factory default setting is 15 and the candela selector is at the back of the device.

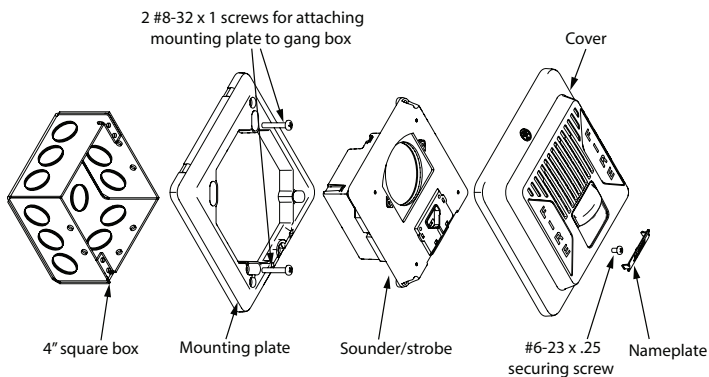


Mounting to the Wall or Ceiling

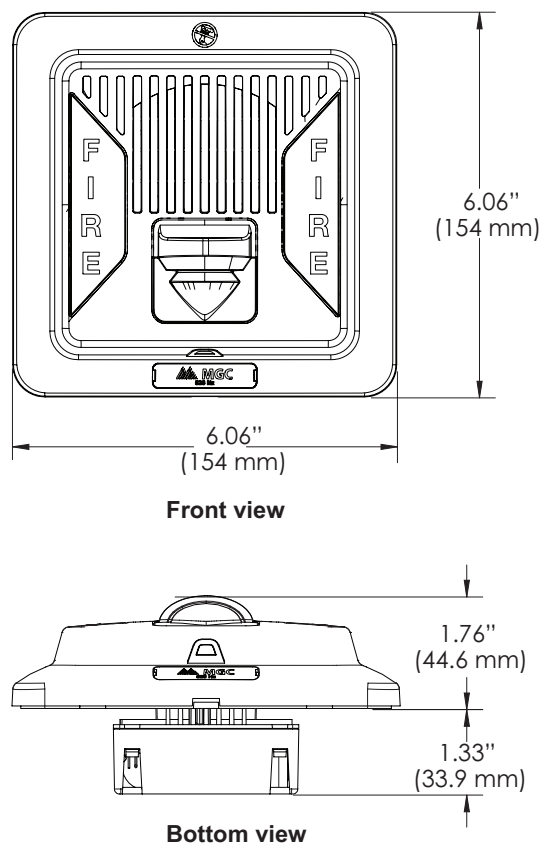
MGC recommends spacing notification appliances in compliance with CAN/ULC S524 and NFPA 72.

When mounting the device on the wall, mount the unit with the MGC logo at the bottom. The appliance is compatible with double gang or 4" square boxes.

Note: Image for Reference only, go to Installation Manual LT-6787 for additional information



Dimensions



Ordering Information

Model	Description
FHS-400-LF-RR	Red Wall/Ceiling Mount Low Frequency Sounder Strobe
FHS-400-LF-WW	White Wall/Ceiling Mount Low Frequency Sounder Strobe
MIX-4050	Mircom Synchronization Module
MRI-4050	Secutron Synchronization Module



Canada

25 Interchange Way Vaughan, ON L4K 5W3
Telephone: (905) 660-4655 | Fax: (905) 660-4113

U.S.A.

4575 Witmer Industrial Estates Niagara Falls, NY 14305
Toll Free: (888) 660-4655 | Fax Toll Free: (888) 660-4113

www.mircom.com



This document is provided by Mircom Technologies Ltd., MGC Systems Corp., or their affiliates, subsidiaries and brands, for convenience or marketing only and does not describe products or services technically. For technical information refer to technical manuals. We do not make representations or warranties regarding this information, including as to completeness or accuracy. We may change these contents at any time and reserve all rights in the contents, including copyrights, trademarks and other intellectual property.

CAT. 5370

Page 3 of 3

Rev. 0