



Description

MGC’s FH-400-WP Weather Protected Horns are a robust and reliable solution designed to thrive in challenging environments. Crafted for outdoor installations, the FH-400-WP Horns are fortified against various environmental factors, ensuring unwavering performance in all conditions.

With a temperature range from -40°C to 66°C (-40°F to 151°F), the FH-400-WP Horns are engineered to withstand extreme weather conditions, making it a dependable choice for a wide range of outdoor applications.

The FH-400-WP Horns have multiple field-selectable audible settings, including Temporal, Continuous, March Time, and 20 BPM audible tones with high and low volume options.

The MGC’s Weather Protected Horns are designed for installation on both walls and ceilings. Its design ensures easy insertion with minimal impact on the enclosure. This comprehensive package includes a high performance horn, a durable backbox, and a transparent cover.

The distinctive red backbox and transparent cover not only enhance the device’s aesthetic appeal but also serve a practical purpose, providing quick and easy identification for seamless recognition.

The MGC’s Weather Protected Horns are listed to UL464, Audible Signaling devices for Fire Alarm and Signaling Devices and ULC-S525, Audible Signal Devices for Fire Alarm Systems.

Features

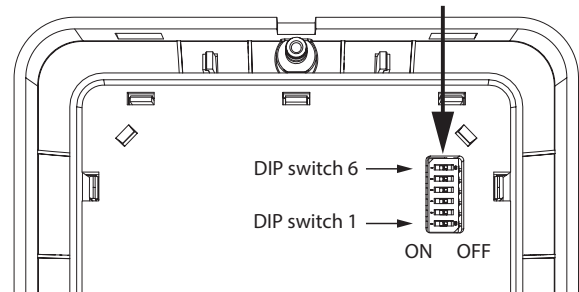
- Outdoor-ready design with protection against environmental factors
- Reliable performance in extreme weather conditions.
- Operating Temperature Range from -40°C to 66°C (-40°F to 151°F)
- Multiple field-selectable audible settings
 - Temporal, Continuous, March Time and 20 BPM tone
 - High and Low volume settings
- Suitable for both wall and ceiling mounting.
- Removable side tabs for different types of installations
- Designed for easy installation with minimal impact on the enclosure
- Red and White options available to ensure both visibility and seamless integration with any environment
- Enhance emergency communication with white models featuring an ‘ALERT’ label
- Support 12 to 22 AWG wire

Agency Listings

- UL 464
- ULC S525

Audible Settings

DIP switches for audible tone and volume options



Device settings are located on the back of the unit to prevent tampering.



Specifications

General Specifications

Operating Temperature	-40°C to 66°C (-40°F to 151°F)
Humidity Range	0% to 93%
Nominal Voltage	Regulated 24 VDC/VFWR
Operating Voltage Range (RMS)	16 – 33 VDC/VFWR
Input Terminal Wire Gauge	22 AWG to 12 AWG
Installation Environment	Outdoor Environment Wet Location

FH-400-RR-WP / FH-400-WW-WP Operating RMS Currents (mA)

Volume	Reg. 24 VDC, all tones	Reg. 24 VFWR, all tones
High	37	37
Low	22	24

ULC Directional Sound Characteristics

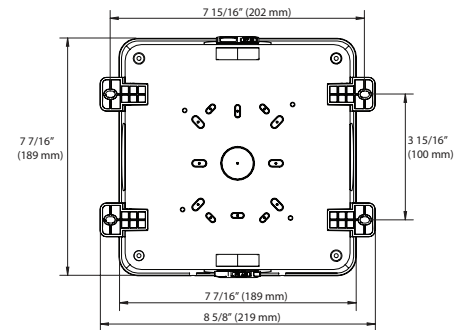
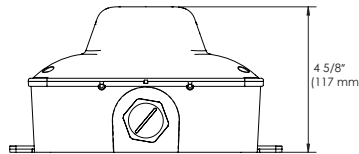
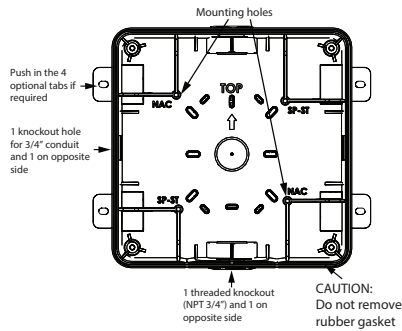
Horizontal Axis	
± 29°	-3 dbA
± 48°	-6 dbA
± 90°	-9.9 dbA
Vertical Axis	
± 46°	-3 dbA
± 72°	-6 dbA
± 90°	-7.3 dbA

Audible Ratings

Overall Sound Pressure Level (Reverberant) @ 10 feet (dBA) for all audible tones

Volume	16 VDC	24 VDC	33 VDC	16 VFWR	24 VFWR	33 VFWR
High	83.1	85.6	85.8	79.7	81.5	82.6
Low	77	80.6	82	75.3	77.6	79.3

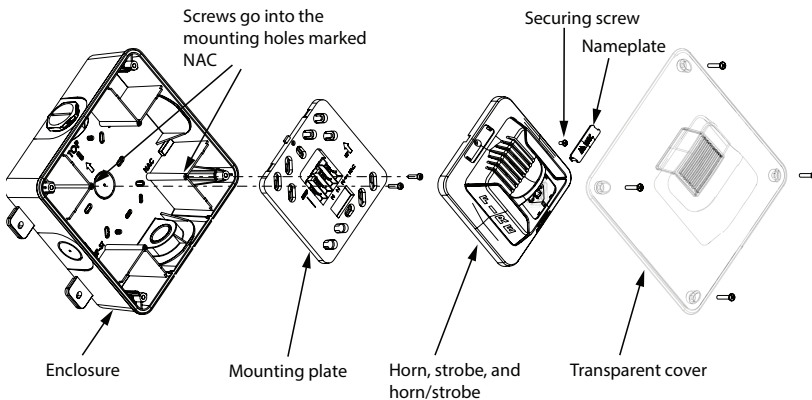
Dimensions



Mounting to the Wall or Ceiling

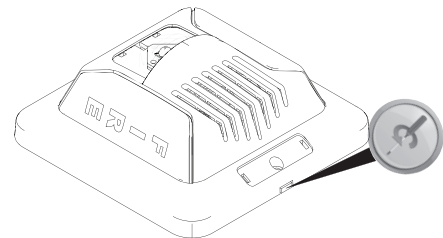
Mount the enclosure on the wall/ceiling. When mounting on the wall, mount the enclosure with the word TOP at the top, and a mount the device with the MGC nameplate at the Top.

Note: Image for reference use only, go to Installation Manual LT-6511 for additional information.



Removing the Device from the Mounting Plate

To remove the device from the mounting plate, remove the nameplate and the securing screw, then insert a flathead screwdriver into the slot between the device and the mounting plate, and rotate the screwdriver.



Ordering Information

Model	Description
FH-400-RR-WP	Weather Protected Wall/Ceiling Mount Horn, Red (Includes device & enclosure)
FH-400-WW-WP	Weather Protected Wall/Ceiling Mount Horn, White (Includes device & enclosure)
ENCL-400-WP	Weather Protected Red Enclosure (Only for Replacement)
ENCL-400-W-WP	Weather Protected White Enclosure (Only for Replacement)

Note: Devices from the 400 NACs Series designed for indoor use are not compatible with the ENCL-400-WP / ENCL-400-W-WP for outdoor installations.



Canada

25 Interchange Way Vaughan, ON L4K 5W3
Telephone: (905) 660-4655 | Fax: (905) 660-4113

U.S.A.

4575 Witmer Industrial Estates Niagara Falls, NY 14305
Toll Free: (888) 660-4655 | Fax Toll Free: (888) 660-4113

www.mircom.com

This document is provided by Mircom Technologies Ltd., MGC Systems Corp., or their affiliates, subsidiaries and brands, for convenience or marketing only and does not describe products or services technically. For technical information refer to technical manuals. We do not make representations or warranties regarding this information, including as to completeness or accuracy. We may change these contents at any time and reserve all rights in the contents, including copyrights, trademarks and other intellectual property.

CAT. 5366

Page 3 of 3

Rev. 2