



Description

Mircom's FHS-400 wall mount horn/strobes offer an audible/visual solution that delivers exceptional energy efficiency in a compact design. Utilizing advanced LED technology, the FHS-400 LED horn/strobes provide a lower current draw which allows for more devices on a NAC circuit while reducing the number of external power supplies required.

The FHS-400 horn/strobes offer a wide range of audible/visual settings in a single compact device. The audible settings include Temporal, Continuous, March Time and 20 BPM tones that can each be set for Low or High volume settings. The candela settings can be field-configured for 15, 15/75, 30, 75, 110, 185 cd. The candela setting is displayed through the front window for easy identification. All device settings are located on the back of the unit to prevent tampering.

The FHS-400 horn/strobes can be synchronized using a control panel with the Mircom sync protocol or the MIX-4050 synchronization module.

The FHS-400 horn/strobes utilize a universal mounting plate that allows for mounting to a single gang, double gang, octagon, 4" junction or 4" square electrical box. The back plate allows the installer to mount the plate and connect the wire connections. The device attaches to the mounting plate and is secured by a single mounting screw. In addition, the FHS-400 can mount to the Mircom BB-400 Series back box for surface mount applications.

Features

- Compact Design
- Advanced LED technology provides superior current draw performance
- Lower power consumption per device allows for more notification appliances per circuit and reduces the need for external power supplies
- Standard and High candela settings in one unit to meet virtually any application
 - 15, 15/75, 30, 75, 110, 185 cd
- Multiple field-selectable audible settings
 - Temporal, Continuous, March Time and 20 BPM audible tones
 - High and Low volume settings
- Red or white finish
- Device settings are located on the back of the unit to prevent tampering
- Includes shorting clip that allows installers to test the wiring before the device is installed
- Supports 12 to 22 AWG
- Mount to Mircom BB-400 surface mount back box, single gang, 4-inch square, double gang, octagon and 4-inch junction boxes
- All units include universal mounting plate
- For indoor applications

Compliance

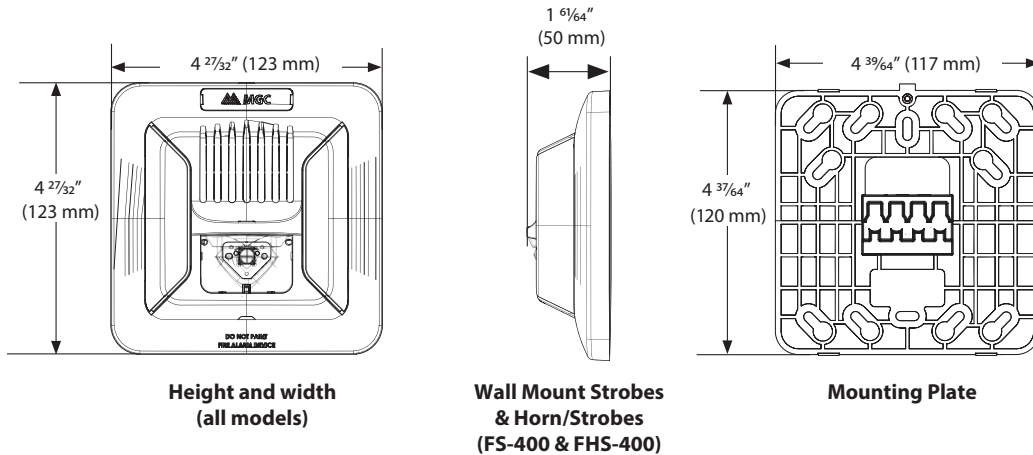
- UL 1971
- UL 1638
- UL 464
- ULC-S525
- ULC-S526
- NFPA 72 2016 Edition



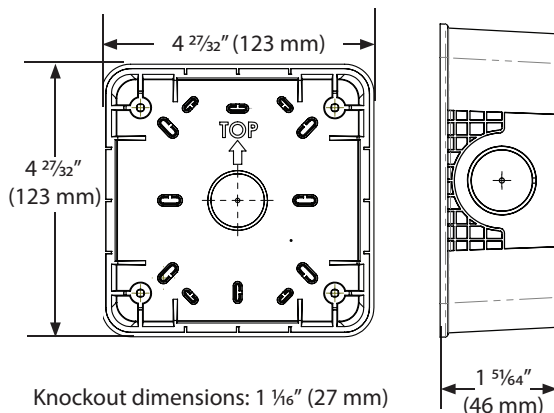
Engineering Specifications

The horn/strobe shall be a Mircom FHS-400 notification appliance for wall mount applications. The horn/strobe shall be of a low current draw design and operate at 24 VDC regulated or full wave rectified. The horn/strobe shall have two field selectable volume settings and a choice of four tone settings for temporal, continuous, march time or 20 BPM. The horn/strobe shall incorporate a Light Emitting Diode (LED) as the light source and have six field selectable settings of 15, 15/75, 30, 75, 110, 185 candela. The candela settings shall show the candela selection in a visible location at all times when installed. Both the audible and candela settings shall be tamper resistant. The horn/strobe shall be synchronized using a control panel with the Mircom sync protocol or the MIX-4050 sync module. The horn/strobe shall utilize a mounting plate that allows the installer to pre-wire the mounting plate. The mounting plate shall mount on a single gang, double gang, octagon, 4-inch square box or Mircom's BB-400 series back box. The horn/strobe shall be listed to UL standard 464, Audible Signaling Devices for Fire Alarm and Signaling Devices, UL standard 1638, Visible Signaling Devices for Fire Alarm and Signaling Systems and standard 1971, Signaling Devices for the Hearing Impaired. In addition, the horn/strobe shall be listed to ULC-S525, Audible Signal Devices for Fire Alarm Systems and ULC S526, Visible Signal Devices for Fire Alarm Systems.

FHS-400 Dimensions

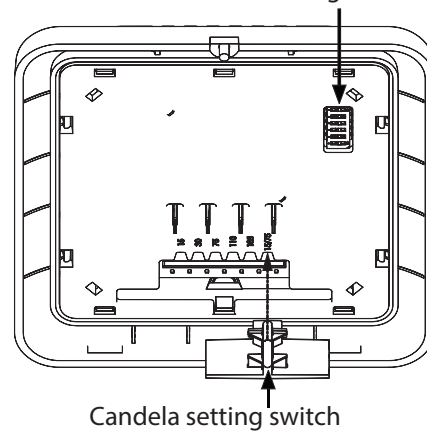


BB-400 Dimensions



Audible/Visual Settings

DIP switches for the volume and signal rate



Device settings are located on the back of the unit to prevent tampering

Specifications

General Specifications

Operating temperature	0°C to 50°C (32°F to 122°F)
Humidity range	0% to 93%
Strobe flash rate	1 Hz
Nominal Voltage	Regulated 24 VDC / 24 VFWR
Operating Voltage Range (RMS)	16 to 33
Input terminal wire gauge	22 AWG to 12 AWG
Installation environment	For indoor use only

FHS-400 Wall Horn/Strobe Operating RMS Currents (mA)

Candela	Regulated 24 VDC		Regulated 24 VFWR	
	Temporal Tone, High Volume*	Continuous Tone, High Volume	Temporal Tone, High Volume*	Continuous Tone, High Volume
15	30	47	69	73
30	44	53	99	102
75	103	106	189	194
15/75	107	97	190	196
110	107	111	190	199
185	180	183	236	243

* Temporal tone volume is representative of March and 20 BPM rates as well.

Audible Ratings

dBa Reverberant Ratings per UL464 (dBa@10 ft)

Sound Pattern	Volume	16 VDC	Reg. 24 VDC	33 VDC	16 FWR	Reg. 24 FWR	33 FWR
		Temporal	High	82.2	84.9	84.6	76.8
	Low	75.5	80.5	80.2	71.8	75.1	76.6
Continuous	High	86.4	89.2	88.7	81.5	83.1	84
	Low	79.9	84	84.8	76.2	79.3	81.2
20 BPM	High	79	81.3	81.6	74	75.1	76.1
	Low	72.3	76	76.7	68.9	71.7	73.3
March	High	83.2	86.4	85.7	79.2	80.6	81.4
	Low	76.9	80.9	81.7	73.3	76.2	78

dBa Anechoic Ratings per CAN/ULC-S525 (dBa@3 m)

Sound Pattern	Volume	16 VDC	Reg. 24 VDC	33 VDC	16 FWR	Reg. 24 FWR	33 FWR
		Temporal	High	90.2	93.2	93.2	84.4
	Low	83.7	87.4	88.3	78	82.2	84.5
Continuous	High	90.2	93.2	93.3	85.1	87.8	89
	Low	83.8	87.6	88.6	78.5	83	85
20 BPM	High	90.3	92.9	92.9	84.4	87.2	88.6
	Low	83.6	87.3	88.3	78	82.2	84.5
March	High	90.2	92.9	92.9	84.4	87.1	88.4
	Low	83.7	87.4	88.3	78	82.2	84.4

ULC Directional Sound Characteristics

Horizontal Axis	
± 45°	-3 dbA
± 61°	-6 dbA
± 90°	-10 dbA
Vertical Axis	
± 49°	-3 dbA
± 61°	-6 dbA
± 90°	-7.7 dbA

Light Output Dispersion

Degrees	% of Candela Rating	
	Horizontal Dispersion	Vertical Dispersion, Wall to Floor
±0	149	148
±5	146	149
±10	143	153
±15	138	135
±20	134	104
±25	128	101
±30	123	94
±35	116	92
±40	106	84
±45	99	75
±50	92	68
±55	87	65
±60	82	61
±65	78	58
±70	75	54
±75	73	49
±80	72	43
±85	81	40
±90	53	30
Compound ±45°	42	

Note: The values are shown as percentages of the rated light output at any candela setting.

Ordering Information

Model	Description
FHS-400-RR	Wall Mount Horn/Strobe, Red
FHS-400-WW	Wall Mount Horn/Strobe, White
BB-400R	Surface Mount Back Box, Red
BB-400W	Surface Mount Back Box, White
MIX-4050	Synchronization Module



Canada

25 Interchange Way Vaughan, ON L4K 5W3
Telephone: (905) 660-4655 | Fax: (905) 660-4113

U.S.A.

4575 Witmer Industrial Estates Niagara Falls, NY 14305
Toll Free: (888) 660-4655 | Fax Toll Free: (888) 660-4113

www.mircom.com



THIS INFORMATION IS FOR MARKETING PURPOSES ONLY AND NOT INTENDED TO DESCRIBE THE PRODUCTS TECHNICALLY.

For complete and accurate technical information relating to performance, installation, testing and certification, refer to technical literature. This document contains intellectual property of Mircom. The information is subject to change by Mircom without notice. Mircom does not represent or warrant correctness or completeness. All rights reserved. All other trademarks and registered trademarks are properties of their respective owners.

CAT. 5362

Rev. 0