

MRM-400MPU
INTELLIGENT MANUAL STATION - MP PROTOCOL**Description**

Secutron's MRM-400MPU Series Fire Alarm Manual Stations provide manual fire alarm activation. They are constructed of high quality, extruded aluminum and finished in red.

Each station has a permanently attached MP Protocol addressable module.

Addressing is done using the hand held device programmer.

The model MRM-407MPU is a single stage manual station similar to the MRM-401MPU except it contains an additional N.C. switch.

All manual fire alarm stations shall be installed as per the specific requirements outlined in the UL codes, as well as all other applicable national or local codes. Final acceptance is subject to the local authority having jurisdiction.

Features

- High quality, extruded aluminum.
- Attractive, Low Profile Design
- Built-in intelligent addressable module with MP Protocol.
- Pulling the handle initiates the operation of the intelligent module.
- Address is set by the hand-held device programmer.
- Standard Single Gang Mount.
- Plastic Rod or Break glass Optional.

Operation

Activating the alarm.

Pulling on the station's handle will release the internal switch to trigger the intelligent addressable module.

Resetting the Manual Station.

Resetting is accomplished by inserting a 1/8" screwdriver from the front. The handle, once pulled will remain open and cannot be reset without utilizing the screwdriver.

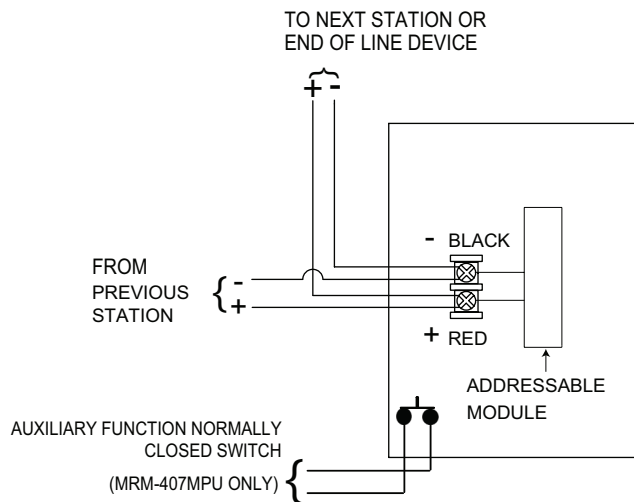
Note: Resetting the station does not cancel the alarm at the panel.



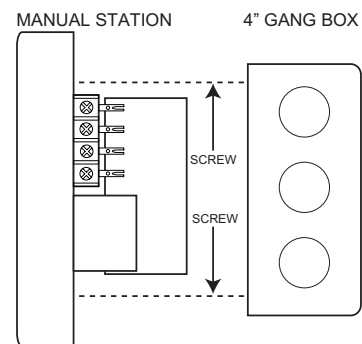
Specifications

Dimensions	4.525" H x 3.3" W x 0.762" D
Nominal Operating Voltage	15-30VDC
Maximum Alarm Current	3.3mA
Standby current	2mA

Typical Wiring Diagram



Mounting Diagram



Ordering Information

Model	Description
MRM-401MPU	Intelligent Single Stage Manual Station with MP Protocol
MRM-407	Intelligent Single Stage Manual Station with additional N.C. switch with MP