

MRM-710MPU**Intelligent Manual Station - MP Protocol****Description**

Secutron's MRM-710MPU Intelligent Manual Station is made of a high quality, die-cast metal and is available as a dual-action device with key resets and a permanently attached intelligent module.

Pulling the handle initiates the operation of the intelligent module.

The MRM-710MPU is available with CAT-30 keys and mount on a standard single gang back-box, Secutron model MRM-700 interior surface metal backbox.

Secutron's MP Protocol devices use a high speed communication protocol that greatly increases the speed of communication between the intelligent devices.

Addressing is done using the hand held device programmer.

All manual fire alarm stations shall be installed as per the specific requirements outlined in the UL codes, as well as all other applicable national or local codes. Final acceptance is subject to the local authority having jurisdiction.

Features

- Dual Action
- Key resettable
- Permanently attached Intelligent Addressable Module
- Address is set using the hand held device programmer.
- High-gloss red enamel finish
- Plastic breakrod
- Meets ADA 5 lb. maximum manual-force
- Mounts on standard single gang box, Secutron's MRM-700 surface metal back-box or MRM-700WP weather proof back-box

Operation

The MRM-710MPU Dual Action Intelligent Manual Station is operated by pushing the bar labeled "PUSH BAR" and then pulling down the handle marked "PULL HANDLE".

The MRM-710MPU is reset by opening the station with the key, placing the handle in the normal upright position and re-locking the station.

Specifications

The manual station shall be Secutron's MRM-710MPU. Operating instructions shall be in raised English lettering and the unit shall be constructed of high quality die-cast metal and finished in red enamel paint to provide quick identification.

Pulling the handle shall initiate immediate operation of the intelligent addressable module.



Specifications

Dimensions	4.93" H x 3.56" W x 2.9" D
Color	Red with raised white letters, white manual bar with raised black letters
Current Consumption @ 24V	Operating: 400 μ A Alarm: 600 μ A

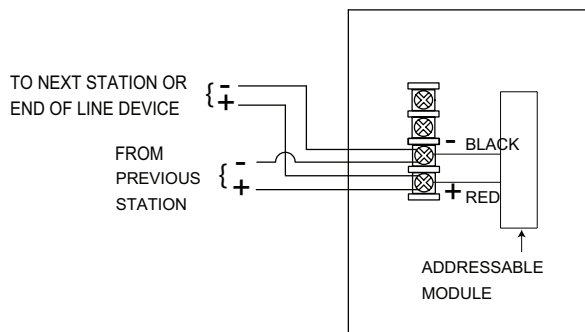
Surface Mount Backbox



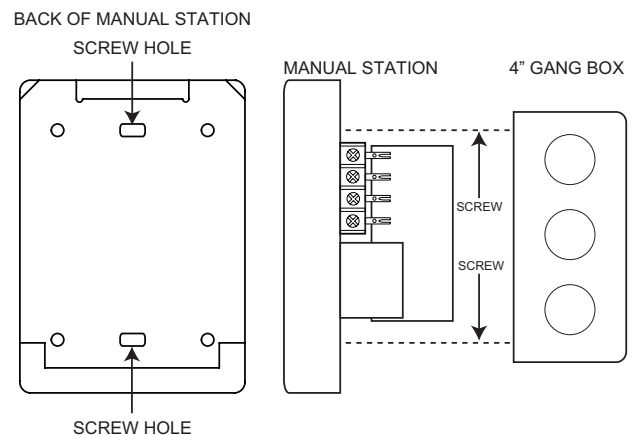
MRM-700 Surface Mount Backbox

Dimensions:
5" H x 3.6" W x 2.0" D

Typical Wiring Diagram



Mounting Diagram



Ordering Information

Model	Description
MRM-710MPU	Intelligent Addressable Key Resettable Dual Action Manual Station with MP Protocol
MRM-700	MRM-700U Series Interior Surface Mount Backbox, Red Finish

THIS INFORMATION IS FOR MARKETING PURPOSES ONLY AND NOT INTENDED TO DESCRIBE THE PRODUCTS TECHNICALLY.

For complete and accurate technical information relating to performance, installation, testing and certification, refer to technical literature. This document contains intellectual property of Mircom. The information is subject to change by Mircom without notice. Mircom does not represent or warrant correctness or completeness.

SECUTRON Catalog Number

4033

Issue 1
Page 2 of 2