

**MRM-710ADU
INTELLIGENT MANUAL STATION****Features**

- Dual Action
- Key resettable
- Permanently attached Intelligent Addressable Module
- High-gloss red enamel finish
- Plastic breakrod
- Meets ADA 5 lb. maximum manual-force
- Mounts on standard single gang box, Secutron's MRM-700 surface metal backbox or MRM-700WP weather proof backbox

Description

Secutron's MRM-710ADU provide manual fire reporting. This high quality, die-cast metal intelligent fire alarm manual station is a dual action unit with a permanently attached addressable module. The intelligent manual station has a pair of rotary decimal switches which allows for two digit address setting. Pulling the handle initiates the operation of the addressable module. The MRM-710ADU is available with CAT-30 keys and mount on a standard single gang backbox, Secutron model MRM-700 interior surface metal backbox, or MRM-700WP weather proof backbox.

Operation

The MRM-710ADU Dual Action Intelligent Manual Station is operated by pushing the bar labelled "PUSH BAR" and then pulling down the handle marked "PULL HANDLE". The MRM-710ADU is reset by opening the station with the key, placing the handle in the normal upright position and re-locking the station.

Specifications

The manual station shall be Secutron's MRM-710ADU. Operating instructions shall be in raised English lettering and the unit shall be constructed of high quality die-cast metal and finished in red enamel paint to provide quick identification. Pulling the handle shall initiate immediate operation of the intelligent addressable module. All manual fire alarm stations shall be installed as per the specific requirements outlined in the UL codes, as well as all other applicable national or local codes. Final acceptance is subject to the local authority having jurisdiction.

**MEA
approved**

Specifications

Switch Rating	Amp @ 30 VDC 0.1 Amp @ 125 VAC
Manual Station Dimensions	4.9" H x 3.5" W x 2.0" D
Color	Red with raised white letters, white manual bar with raised black letters.
Current Consumption	Standby: 400 uA Alarm: 5.5 mA

Surface Mount Backboxes



MRM-700
Surface Mount Backbox

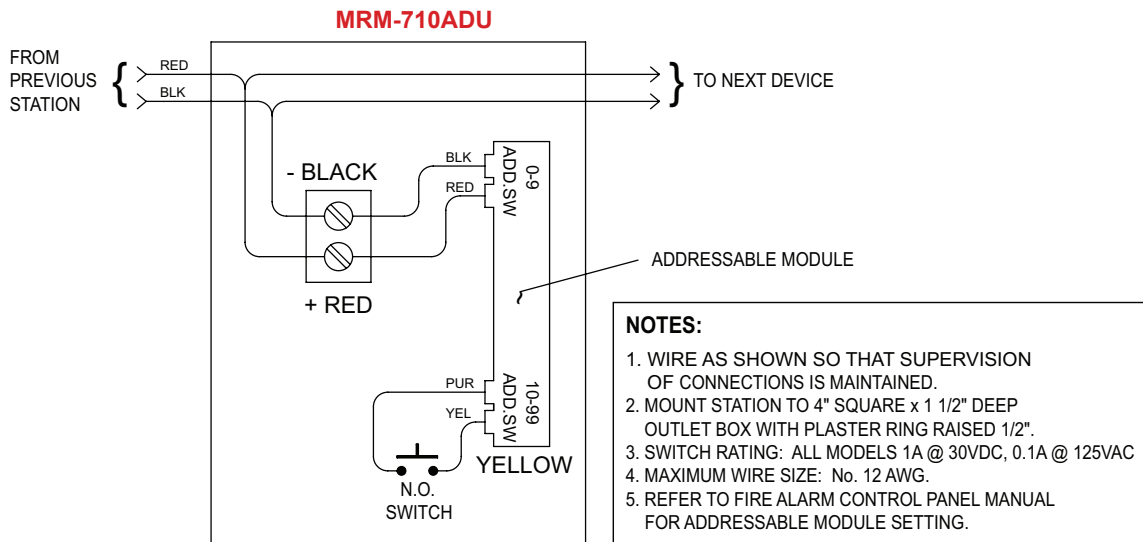
Dimensions:
5" H x 3.6" W x 2.0" D



MRM-700WP
Weatherproof Surface Mount Backbox

Dimensions:
5" H x 3.6" W x 2.2" D

Typical Wiring Diagram



Ordering Information

Model	Description
MRM-710ADU	Intelligent Addressable Key Resettable Dual Action Manual Station
MRM-700	MRM-700U Series Interior Surface Mount Backbox, Red Finish
MRM-700WP	MRM-700U Series Weatherproof Surface Mount Backbox, Red Finish