

MRM-800(U) SERIES FIRE ALARM CONVENTIONAL MANUAL STATION



Description

Secutron's MRM-800(U) Series Fire Alarm Manual Pull Stations provide manual fire alarm activation. The new MRM-800 Series uses raised symbols and icons instead of printed text that makes them universally recognized.

These conventional pull stations are available as single and 2 stage double action.

The MRM-800(U) manual stations are constructed of high quality polycarbonate resin thermoplastic "LEXAN" that supports high temperatures without deforming. The temperature range is from -40°C to 66°C.

The MRM-800(U) conventional pull stations are accessible from the front for wiring while mounted making it easy to install. These pull stations can be mounted on a single gang backbox and the mounting holes permit easy alignment to the wall.

The suffix "U" indicates USA version.

All manual fire alarm stations shall be installed as per the specific requirements outlined in the UL/ULC codes, as well as all other applicable national or local codes.

Features

- Completely made of LEXAN material
- Closed-fist operation (ADA – Americans with Disability Act)
- No printed text on the devices, symbols and icons are used instead
- Symbols are raised to be easily recognized by touch
- Easy installation
- Accessible from the front for wiring while mounted
- Mounts on a single gang backbox
- Temperature range from -40°C to 66°C / -40°F to 151°F
- Device comes with a reset key
- Indoor/Outdoor use

Operation

Activating the Alarm

- Push in the push bar
- Pull down the pull handle

Resetting the manual station

- Insert the key into the reset keyhole and turn it.
- Pull the cover open. The switch is now reset.
- Close and lock the stations with the reset key.
- Reset the Fire Alarm Control Panel to reset the alarm.

Note: Resetting the station does not cancel the alarm at the panel



SECUTRON INC.

Canada 25 Interchange Way, Vaughan (Toronto), Ontario L4K 5W3 Tel: (905) 695-3545 Fax: (905) 660-4113

U.S.A. 4575 Witmer Industrial Estates, Niagara Falls, NY 14305 Tel: (888) 695-3545 Fax: (888) 660-4113

www.secutron.com

Catalog Number

2056

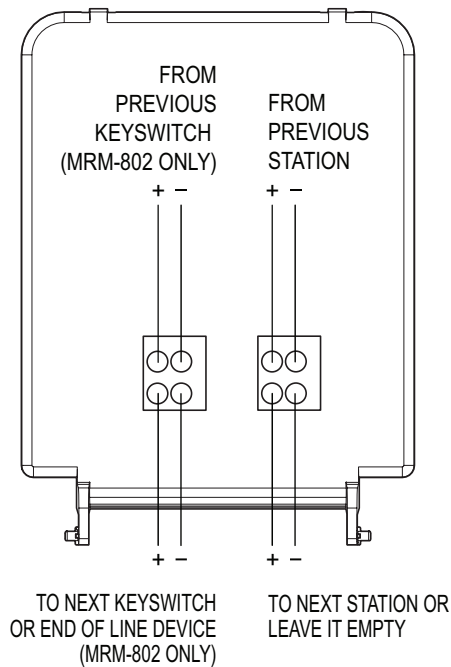
Issue 3

Specifications

Electrical Rating: 1Amp @ 30 VDC

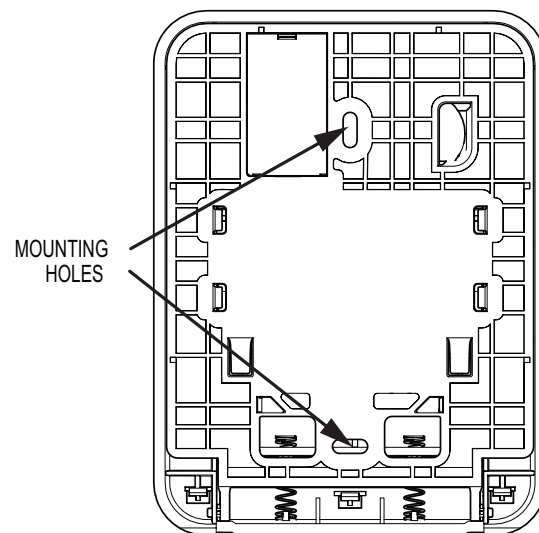
Manual Pull Station Dimensions: 5 1/2" H x 4 1/8" W x 1 3/8" D

Wiring Diagram



Mounting Diagram

- Flush mount indoor: Single-gang electrical box
- Flush mount outdoor: Single-gang electrical box with STI-1250
- Surface mount indoor: MRM-800 backbox with or without STI-1230 (Deep cover without gasket)
- Surface mount outdoor: MRM-800 backbox with STI-3150 (Deep Cover with Gasket)



Ordering Information

Model	Description
MRM-810	1 Stage Conventional Double Action Pull Station, ULC
MRM-810U	1 Stage Conventional Double Action Pull Station, UL
MRM-802	2 Stage Conventional Double Action Pull Station, ULC
MRM-800	Surface Backbox for 800 Series Manual Station