

**MRM-MPG SERIES
MANUAL STATIONS**

MRM-MPG2U

MRM-MPG1A

Features

- Durable Extruded Aluminium Construction
- Attractive, Low Profile Design
- Standard Single Gang Mount
- Glass Rod Optional (one provided)

Description

Attractive and durable, Secutron's MRM-MPG Series manual station provide manual fire reporting. The MRM-MPG Series manual stations are non-coded, single action device which initiates an alarm when pulled. Resetting is accomplished by inserting a 1/8" screwdriver from the front. The handle, once pulled will remain open and cannot be reset without utilizing the screwdriver.

The MRM-MPG Series manual stations are constructed of durable aluminium and finished in red. An abrasion resistant label with large, raised letters provides clear legible instructions.

Operation

Pulling on the station's handle will release the internal switch to trigger the alarm detection circuit.

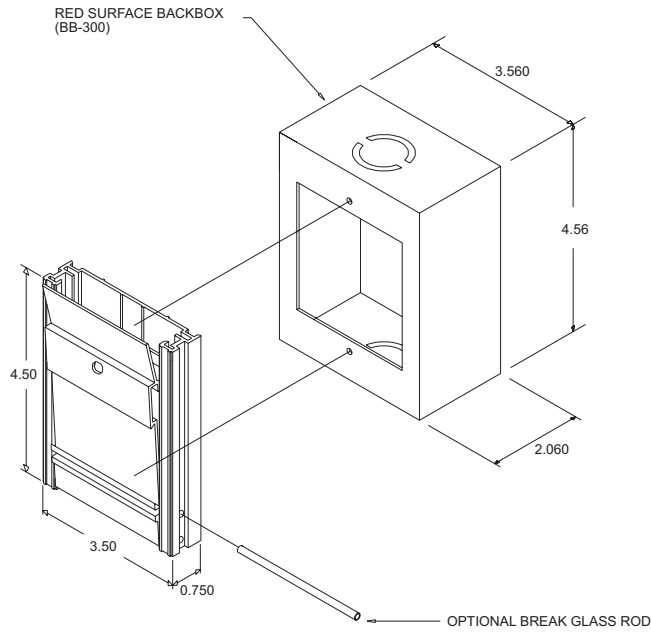
The MRM-MPG Series Manual Stations are available in many different configurations. The MRM-MPG1U & MRM-MPG1A are a single action, single stage manual station. The MRM-MPG2U & MRM-MPG2A are two stage and contain an additional General Alarm (G.A.) N.O. switch. For safety reasons, the G.A. switch is only accessible after the handle has been pulled. A special key is supplied with each unit.

Specifications

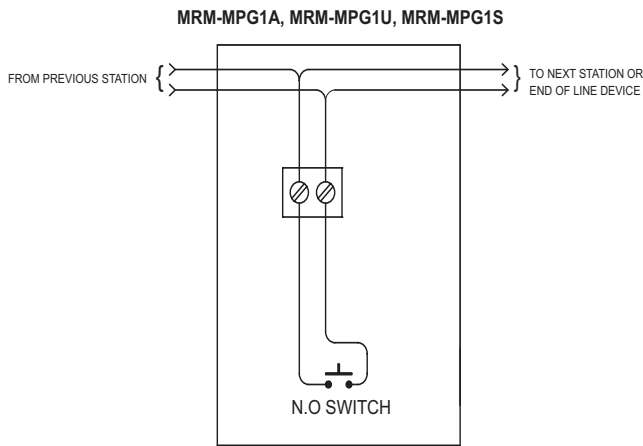
The single action manual station shall be Secutron's MRM-MPG Series. Operating instructions shall be in raised English lettering and the unit shall be constructed of extruded aluminium, finished in red enamel paint to provide quick identification. Pulling the handle shall initiate immediate operation of the alarm detection circuit. All manual fire alarm stations shall be installed as per the specific requirements outlined in the UL/ULC codes, as well as all other applicable national or local codes.



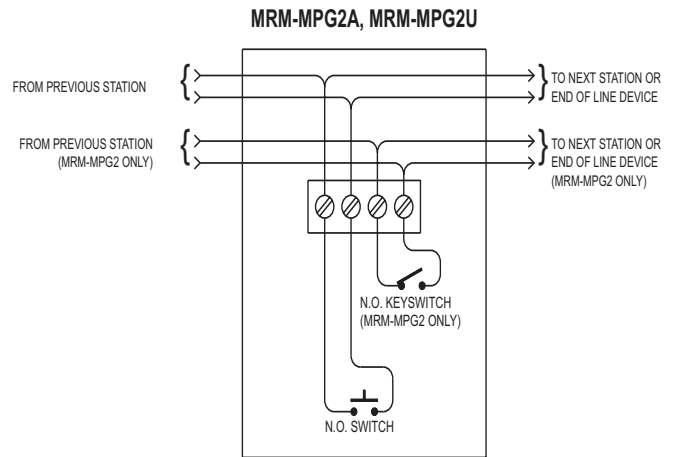
Specifications



Wiring Diagram



- NOTES:
1. WIRE AS SHOWN SO THAT SUPERVISION OF CONNECTIONS IS MAINTAINED.
 2. MOUNT STATION TO 2" X 4" X 2 1/4" OUTLET BOX.
 3. SWITCH RATING: ALL MODELS 1A @ 30 VDC



- NOTES:
1. WIRE AS SHOWN SO THAT SUPERVISION OF CONNECTIONS IS MAINTAINED.
 2. MOUNT STATION TO 2" X 4" X 2 1/4" OUTLET BOX.
 3. SWITCH RATING: ALL MODELS 1A @ 30VDC, 0.1A @ 120VAC
 4. MAXIMUM WIRE SIZE: No. 12 AWG.

Ordering Information

Model	Description
MRM-MPG1U	Single Stage Manual Station, English, UL
MRM-MPG1S	Single Stage Manual Station, Bilingual English/Spanish, UL
MRM-MPG1A	Single Stage Manual Station, Bilingual English/French, ULC
MRM-MPG2A	Dual Stage Manual Station, Bilingual English/French, ULC
MRM-MPG2U	Dual Stage FA Manual Station, UL

THIS INFORMATION IS FOR MARKETING PURPOSES ONLY AND NOT INTENDED TO DESCRIBE THE PRODUCTS TECHNICALLY.

For complete and accurate technical information relating to performance, installation, testing and certification, refer to technical literature. This document contains intellectual property of Mircom. The information is subject to change by Mircom without notice. Mircom does not represent or warrant correctness or completeness. All rights reserved. All other trademarks and registered trademarks are properties of their respective owners.

SECUTRON Catalog Number

2054

Issue 3
Page 2 of 2