

MRM-MPG1U Manual Stations



Features

- Durable Extruded Aluminium Construction
- Attractive, Low Profile Design
- Standard Single Gang Mount
- Glass Rod Optional (one provided)

Description

Attractive and durable, Secutron's MRM-MPG1U manual station provide manual fire reporting. The MRM-MPG1U manual stations are non-coded, single action device which initiates an alarm when pulled. Resetting is accomplished by inserting a 1/8" screwdriver from the front. The handle, once pulled will remain open and cannot be reset without utilizing the screwdriver.

The MRM-MPG1U manual stations are constructed of durable aluminium and finished in red. An abrasion resistant label with large, raised letters provides clear legible instructions.

Operation

Pulling on the station's handle will release the internal switch to trigger the alarm detection circuit.

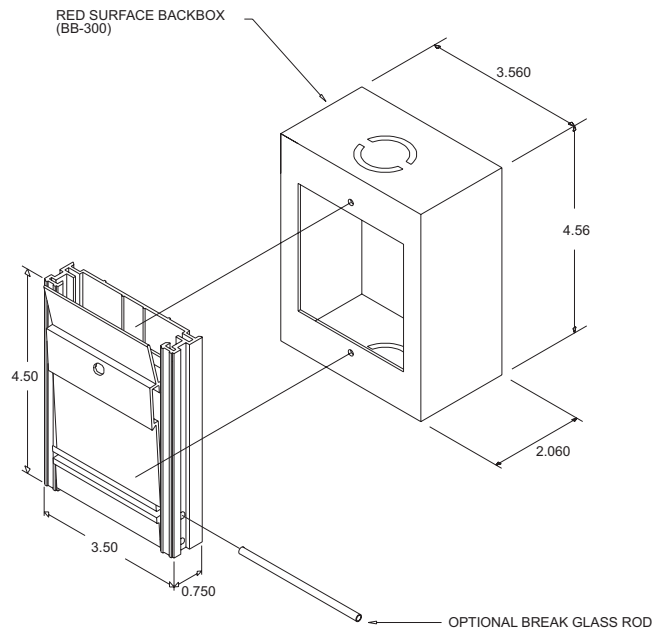
Specifications

The single action manual station shall be Secutron's MRM-MPG1U Series. Operating instructions shall be in raised English lettering and the unit shall be constructed of extruded aluminium, finished in red enamel paint to provide quick identification. Pulling the handle shall initiate immediate operation of the alarm detection circuit. All manual fire alarm stations shall be installed as per the specific requirements outlined in the UL codes, as well as all other applicable national or local codes.

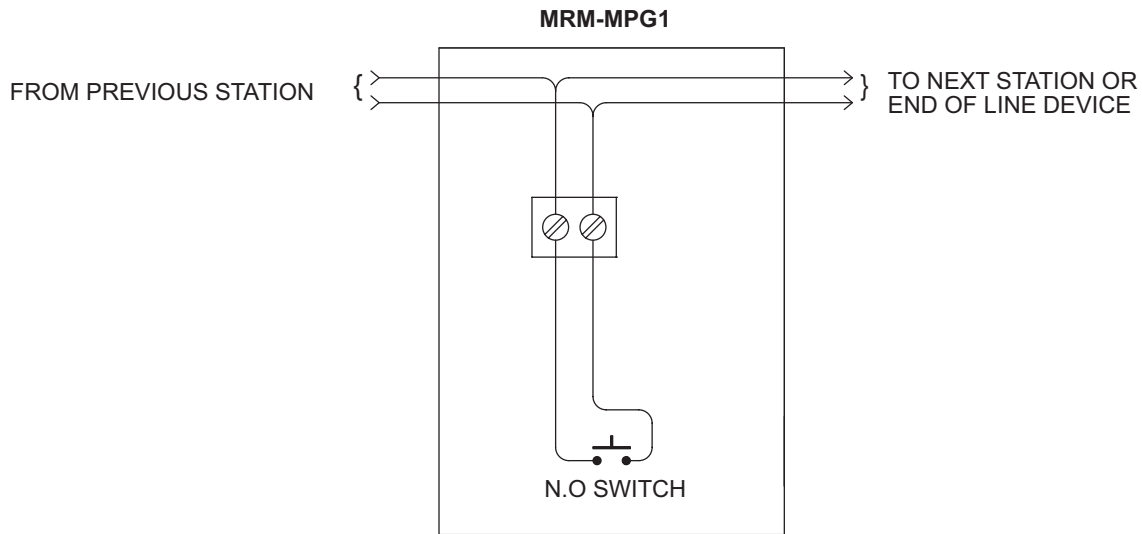


S6492

Dimensions



Wiring Diagram



NOTES:

1. WIRE AS SHOWN SO THAT SUPERVISION OF CONNECTIONS IS MAINTAINED.
2. MOUNT STATION TO 2" X 4" X 2 1/4" OUTLET BOX.
3. SWITCH RATING: ALL MODELS 1A @ 30 VDC

Ordering Information

Model Number	Description
MRM-MPG1U	Single Stage Manual Station, English
MRM-MPG1S	Single Stage Manual Station, Bilingual English/Spanish

THIS INFORMATION IS FOR MARKETING PURPOSES ONLY AND NOT INTENDED TO DESCRIBE THE PRODUCTS TECHNICALLY.

For complete and accurate technical information relating to performance, installation, testing and certification, refer to technical literature. This document contains intellectual property of Mircom. The information is subject to change by Mircom without notice. Mircom does not represent or warrant correctness or completeness.

Catalogue Number

2054

Issue 2
Page 2 of 2