

MRM-700(U) SERIES EMERGENCY MANUAL STATIONS



MRM-704(U)
Yellow Single Action
Manual Station

MRM-703(U)
Blue Single Action
Manual Station

Features

- Single Action
- Key resettable
- Terminal connectors
- Gold plated SPDT contacts
- High-gloss enamel in Blue and Yellow
- Normally Open or Normally Closed Alarm Contacts
- Meets ADA 5 lb. maximum manual-force

Description

Secutron's MRM-700(U) Emergency Manual Stations are high quality, die-cast metal manual stations that are designed to meet special use requirements. The MRM-700(U) are designed for indoor and outdoor use.

Secutron's MRM-700(U) Emergency Manual Stations consist of the MRM-703(U) which is a single action manual station finished in Blue enamel and MRM-704(U) which is also a single action manual station but finished in Yellow enamel.

The suffix "U" indicates USA version.

All models are available with key resets, CAT-30 lock and keys, SPDT contacts and terminal strip connections. The contacts are gold plated to avoid the risk of corrosion. The MRM-700(U) Emergency Manual Stations mount on a standard single gang backbox.

Operation

The MRM-700(U) Single Action Emergency Manual Stations are operated by pulling down the handle marked "Manual HANDLE" on the front of the station.

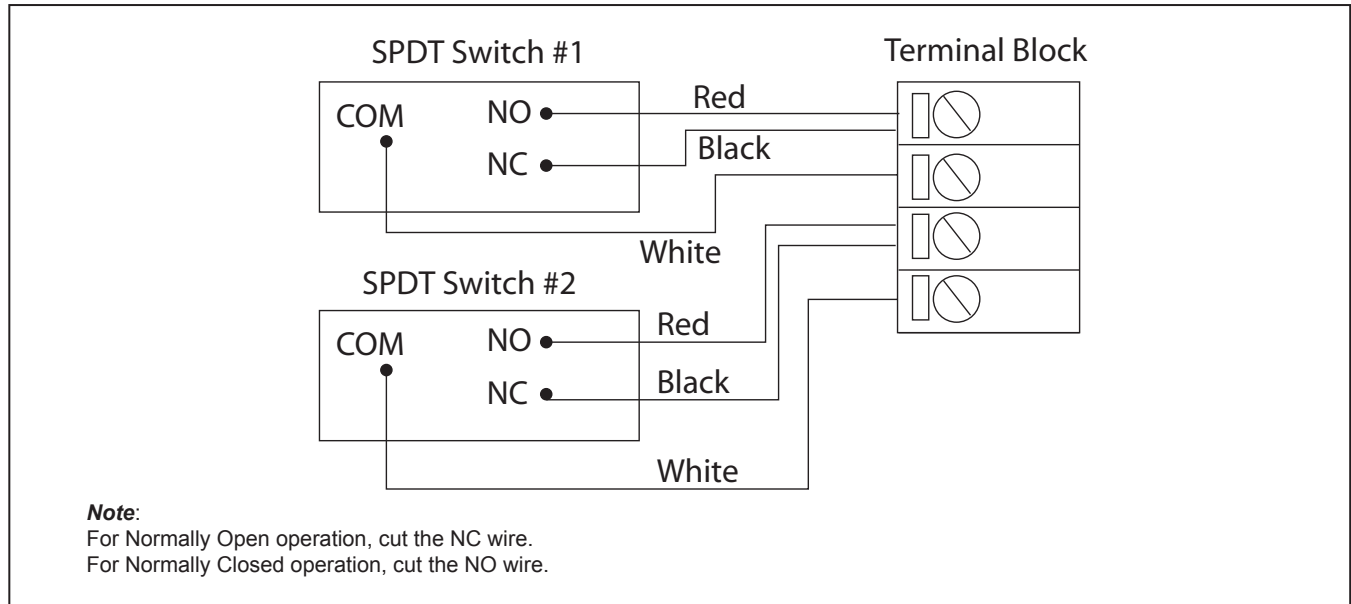
The MRM-700(U) Series Emergency Manual Stations are reset by opening the station with the key, placing the handle in the normal upright position and re-locking the station.



Specifications

Switch Rating:	1 Amp @ 30 VDC 0.1 Amp @ 125 VAC
Manual Station Dimensions:	4.9" H x 3.5" W x 2.0" D
Colors:	Blue or Yellow with raised white letters. White manual bar with raised black letters.

Typical Wiring Diagram



Ordering Information

Model	Description
MRM-703(U)	Blue Single Action Emergency w/2 Form 'C' Contacts, Key Resettable
MRM-704(U)	Yellow Single Action Emergency Station w/2 Form "C" Contacts, Key Resettable
MRM-703	Blue Single Action Emergency P/S, 2Fc, Can
MRM-704	Yellow Single Action Emergency Station P/S, 2Fc, Can